

WBK..DF/WBK..DFF

All dimensions in mm.

Using standard shaft nut type RN...W.

* The Maximal tightening torque of the nut should not be exceeded. It is not required, neither recommended to tighten the nut to its limits. What is mandatory is to always tighten the set screws to prescribed values, after the nut have been tighten to a distinct stop.





General Data

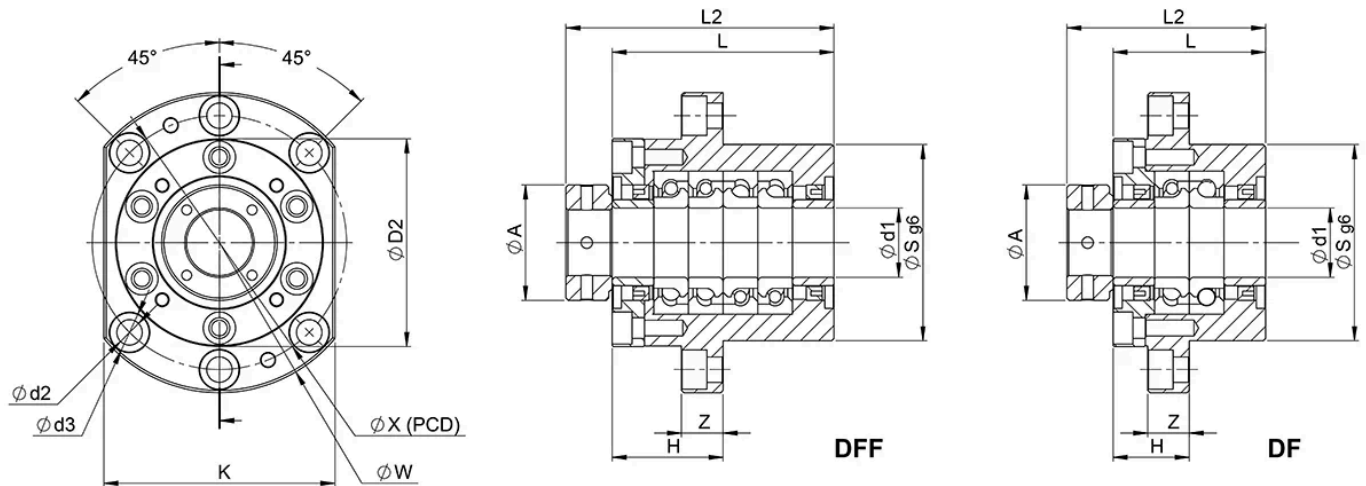
Heavy load units can operate at very high loads compared to its size. Dynamic loads up to 100% of Ca is feasible but at the expense of the life.

| Designation | Compatible with | Fig. | Bearing | Dynamic Permissible Axial Load (N) | Static Permissible Axial Load (N) |
|-----------------|--------------------------------------|------|--------------|------------------------------------|-----------------------------------|
| WBK25DF | Screw dim. 3205 / 3210 / 3220 / 3232 | 1 | 25TAC 62B | 20000 | 28500 |
| WBK30DF | Screw dim. 4005 / 4010 / 4020 / 4040 | 1 | 30TAC 62B | 20500 | 30200 |
| WBK30DFF | Screw dim. 4005 / 4010 / 4020 / 4040 | 1 | 30TAC 62B | 33300 | 60400 |
| WBK40DF | Screw dim. 5010 / 5050 | 2 | 40TAC 72B | 22300 | 36400 |
| WBK40DFF | Screw dim. 5010 / 5050 | 2 | 40TAC 72B | 36100 | 72800 |

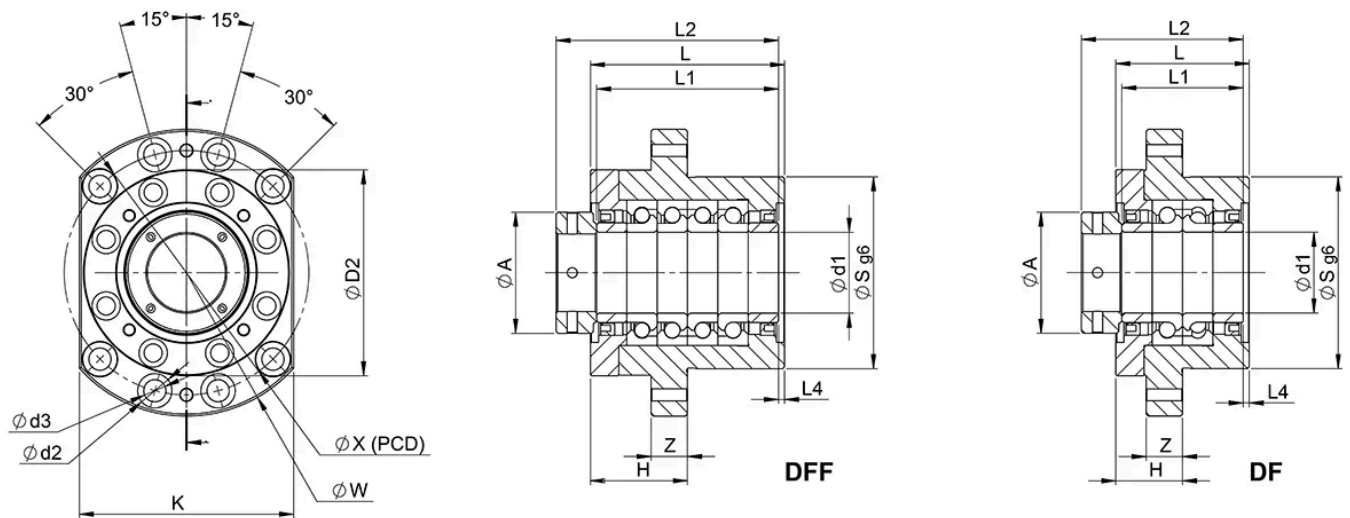
| Designation | Max. Tightening Torque Nut (Nm)* | Tightening Torque Set Screws (Nm) | Axial Dynamic Load Capacity Ca (N) | Axial Static Load Capacity C0a (N) |
|-----------------|----------------------------------|-----------------------------------|------------------------------------|------------------------------------|
| WBK25DF | 87 | 5.0 | 28500 | 40700 |
| WBK30DF | 105 | 5.0 | 29200 | 43200 |
| WBK30DFF | 105 | 5.0 | 47600 | 86300 |
| WBK40DF | 160 | 5.0 | 31900 | 52000 |
| WBK40DFF | 160 | 5.0 | 51500 | 104000 |

Dimensions

WBK25DF / WBK30DF / WBK30DFF



WBK40DF / WBK40DFF



| Designation | A | H | K | L | S | Z | d1 | d2 | D3 |
|-------------|----|----|-----|----|----|----|----|----|----|
| WBK25DF | 45 | 33 | 100 | 66 | 85 | 18 | 25 | 11 | 17 |
| WBK30DF | 50 | 33 | 100 | 66 | 85 | 18 | 30 | 11 | 17 |
| WBK30DFF | 50 | 48 | 100 | 96 | 85 | 18 | 30 | 11 | 17 |
| WBK40DF | 60 | 33 | 106 | 66 | 95 | 18 | 40 | 11 | 17 |
| WBK40DFF | 60 | 48 | 106 | 96 | 95 | 18 | 40 | 11 | 17 |

| Designation | L1 | L2 | L4 | X | W |
|-------------|----|-----|----|-----|-----|
| WBK25DF | 66 | 86 | - | 110 | 130 |
| WBK30DF | 66 | 86 | - | 110 | 130 |
| WBK30DFF | 96 | 116 | - | 110 | 130 |
| WBK40DF | 60 | 83 | 3 | 121 | 142 |
| WBK40DFF | 90 | 118 | 3 | 121 | 142 |

