

## Bottom Mounting Rail SBI-B

Cut to length acc. to request.  
Rails can be joint together for extra long lengths.  
Contact Rollco for more information.

Note: If the maximum length exceeds this size please contact Rollco.

All blocks and rails are also available in Raydent treated material:

- Corrosion resistant
  - Patented black surface
  - Delivered with steel balls of standard bearing steel.
- Stainless steel balls are available on special request and for a few sizes only. Contact Rollco for more information.

Dimensions in mm.

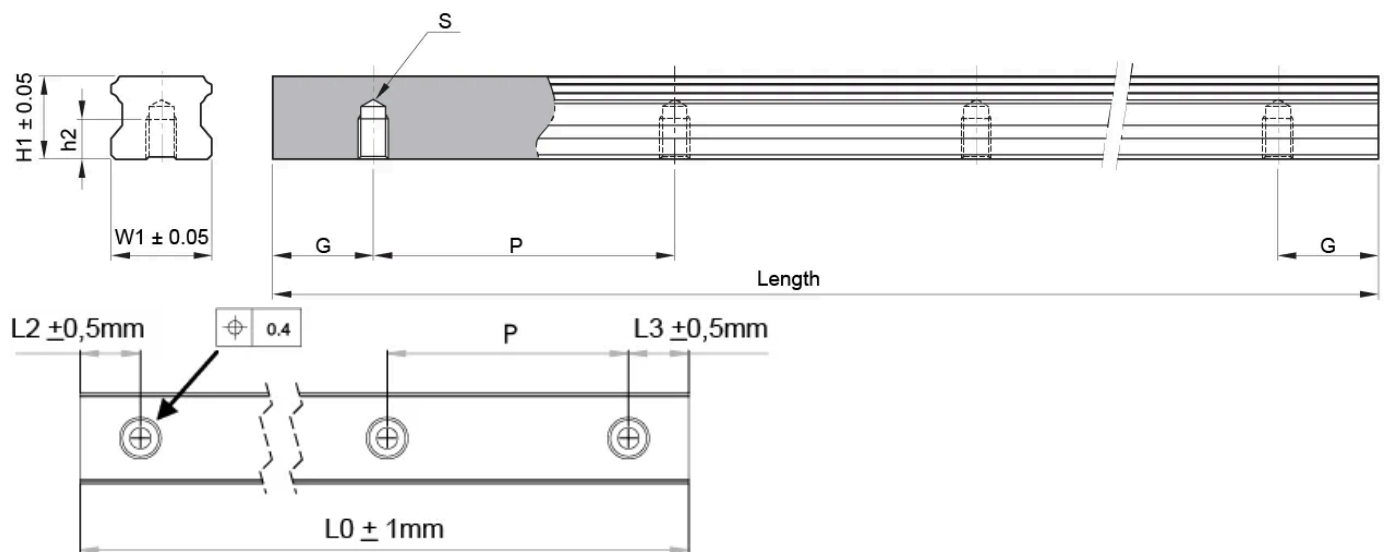
For more information about recommended screw size, strength and tightening torque, see Linear Rail SBI Technical Information.



## General Data

Designation	Weight Rail (g/m)
SBI15-B	1390
SBI20-B	2370
SBI25-B	3260
SBI30-B	4630
SBI35-B	6450
SBI45-B	10490

## Dimensions



Designation	W1	H1	h2	Hole Pitch (P)	G	S	Length
SBI15-B	15	13	8	60	20	M5	3000
SBI20-B	20	16.5	9	60	20	M6	4000
SBI25-B	23	20	9	60	20	M6	4000
SBI30-B	28	23	12	80	20	M8	4000
SBI35-B	34	26	12	80	20	M8	4000
SBI45-B	45	32	18	105	22.5	M12	4000