

## ZZ Steel Scraper

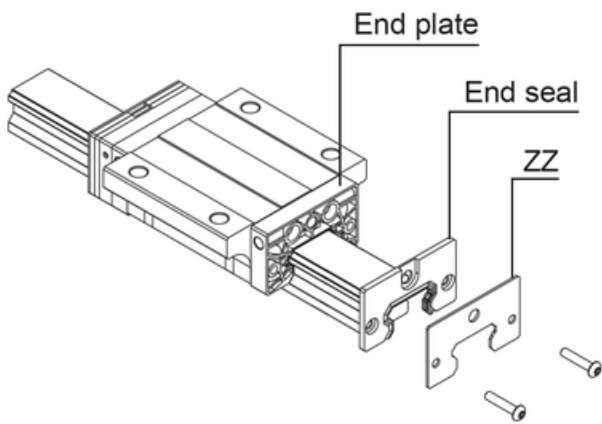
Steel scrapers are used as outer shields if there is a need to wipe off large and potentially sticky debris from the rail.

The steel scraper will protect and enhance the lifetime of the sealing system behind them.

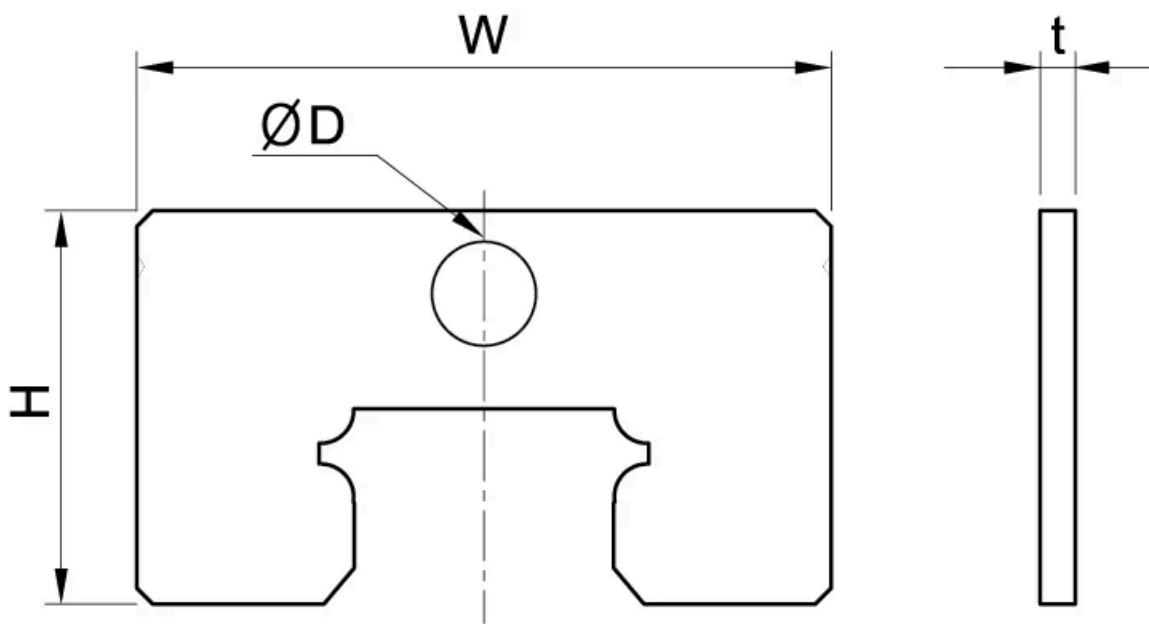
Works both with the standard seal and option MF and DF.

Dimensions in mm.





## Dimensions



Designation	Block Type	W	t	H	D
SBI15-ZZA	FL, FLL, HL, HLL, SL, SLL, FV, SV	33.4	1.2	20.2	4
SBI20-ZZA	FL, FLL, SL, SLL	43.4	1.2	24.6	6.5
SBI20-ZZB	CL, CLL, FV, SV	43.4	1.2	22.6	6.5
SBI25-ZZA	FL, FLL, HL, HLL, SL, SLL	47	1.2	29.7	6.5
SBI25-ZZB	CL, CLL, FV, SV	47	1.2	26.7	6.5
SBI30-ZZA	FL, FLL, HL, HLL, SL, SLL	59	1.2	34.2	6.5
SBI35-ZZA	FL, FLL, HL, HLL, SL, SLL	69	1.2	39.7	6.5
SBI45-ZZA	FL, FLL, HL, HLL, SL, SLL	85	1.2	49.7	10.5
SBI55-ZZA	FL, FLL, HL, HLL, SL, SLL	98	1.2	56	10.5
SBI65-ZZA	FL, FLL, SL, SLL	123	1.2	69	10.5