

WRC MN

Standard block, available both with and without ball chain. Versions with ball chain are indicated with ...C in the designation in the table below.

For high load applications or any application where severe chock-loads may occur, the standard version offers better safety margins by its higher static limit (C0). For light to medium loads where a very long lifetime is required, the ball-cage will show superior life span and reliability.

Please note that ball chain versions must never be used for linear speeds exceeding 3 m/s!

Size 21/15 delivered with straight standard nipple.

Size 27/20 delivered with angled standard nipple.

Lubrications injections ports on the block:

N1: Front of the block. All blocks are delivered with front mounted standard grease nipple.

N2: Side of the block. The side lubrication injection port is sealed on delivery to prevent leakage of lubrication.

N3: Top of the block with an O-ring seal. The top lubrication injection port is sealed on delivery to prevent leakage of lubrication.

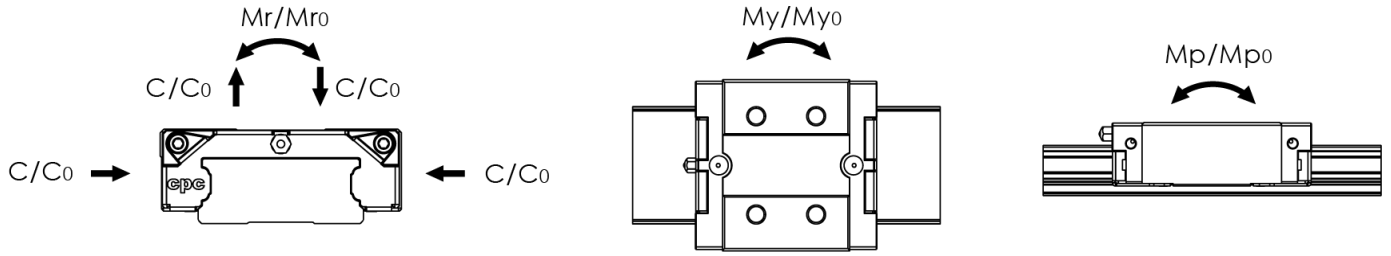
Dimensions in mm.

Lead times in the table below are only indications. Choice of preload, accuracy class and other options will affect lead time. Please contact us for exact delivery time for your request.

For more information about calculation of life, load rating and static moment see Technical information.



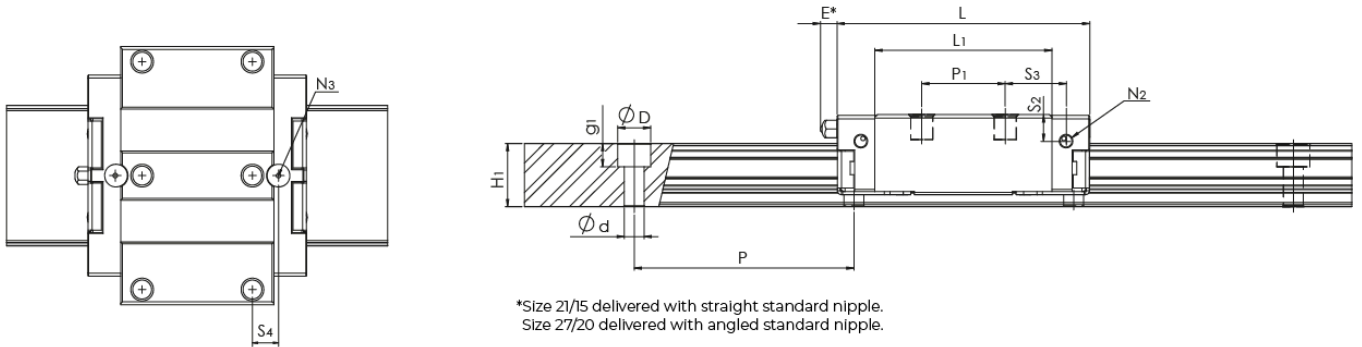
General Data



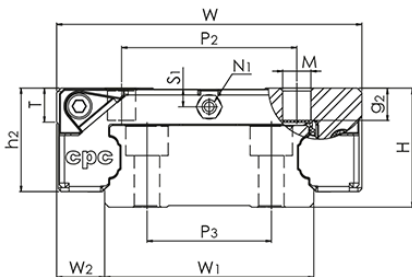
Designation	Dynamic Load Capacity C (N)	Static Load Capacity C0 (N)	Static Moment Mr0 (Nm)	Static Moment Mp0 (Nm)	Static Moment My0 (Nm)
WRC21/15MN	9900	17500	315	105	105
WRC27/20MN	17100	30000	634	230	230
WRC21/15MN...C	11800	16200	295	95	95
WRC27/20MN...C	22300	25700	535	200	200

Designation	Dynamic Moment Mr (Nm)	Dynamic Moment Mp (Nm)	Dynamic Moment My (Nm)	Weight Block (g)
WRC21/15MN	178	59	59	160
WRC27/20MN	361	131	131	320
WRC21/15MN...C	215	69	69	160
WRC27/20MN...C	464	174	174	320

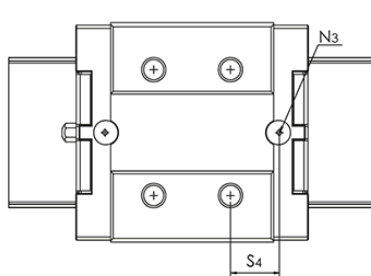
Dimensions



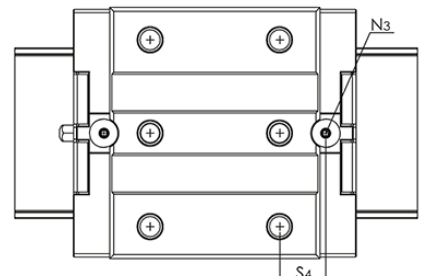
WRC MN



WRC21/15MN



WRC27/20MN



Designation	L	W	H	L1	H1	h2	W1	W2	S1
WRC21/15MN	57.5	54	21	40.3	14.4	18.3	37	8.5	3.3
WRC27/20MN	70	62	27	52	18.5	23.5	42	10	4.5

Designation	L	W	H	L1	H1	h2	W1	W2	S1
WRC21/15MN...C	57.5	54	21	40.3	14.4	18.3	37	8.5	3.3
WRC27/20MN...C	70	62	27	52	18.5	23.5	42	10	4.5

Designation	S2	S3	S4	S5	E	T	N1	N2	N3	M x g2
WRC21/15MN	6.1	13.9	11.9	-	5.3	6	M3	M3x3	P3	M5x5
WRC27/20MN	8	13.2	11.5	11	5.3	10	M3	M3x4	P4	M6x6
WRC21/15MN...C	6.1	13.9	11.9	-	5.3	6	M3	M3x3	P3	M5x5
WRC27/20MN...C	8	13.2	11.5	11	5.3	10	M3	M3x4	P4	M6x6

Designation	D x d x g1	Hole Pitch (P)	P1	P2	P4
WRC21/15MN	7.5 x 4.5 x 5.3	50	19	31	-
WRC27/20MN	7.5 x 4.5 x 5.3	60	32	46	50
WRC21/15MN...C	7.5 x 4.5 x 5.3	50	19	31	-
WRC27/20MN...C	7.5 x 4.5 x 5.3	60	32	46	50