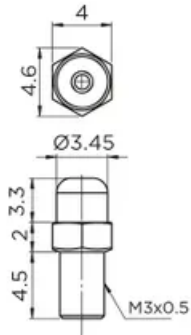


Standard grease nipple

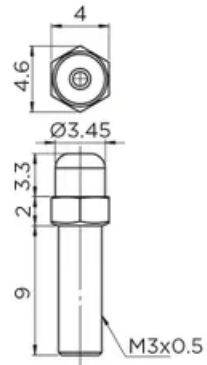
When external NBR seal is chosen (SN), please use long type grease nipple.



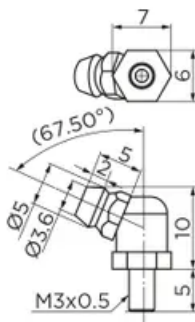
A-M3



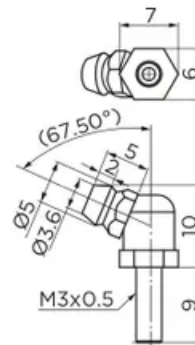
A-M3-L



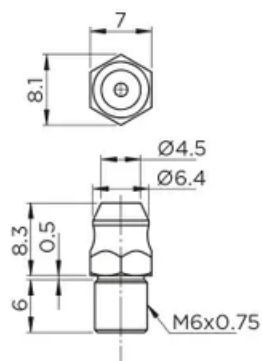
B-M3



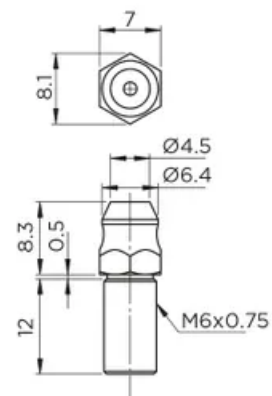
B-M3-L



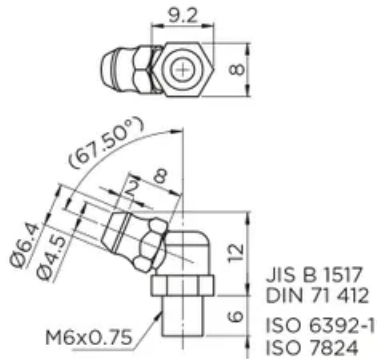
A-M6



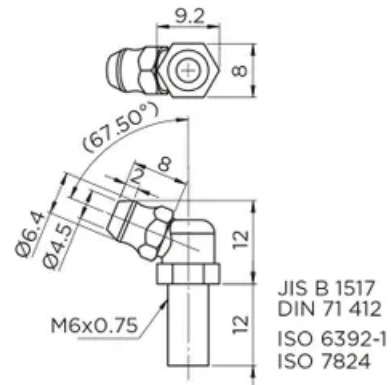
A-M6-L



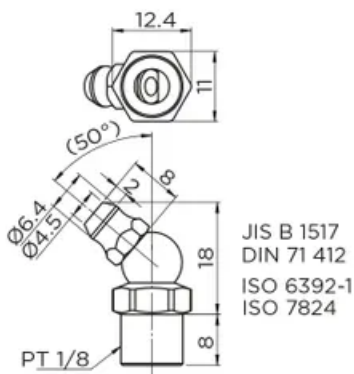
B-M6



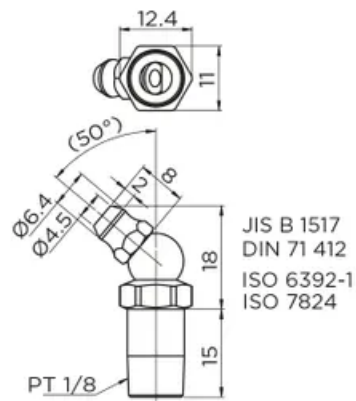
B-M6-L



B-PT1/8



B-PT1/8-L



Port sizes for grease nipple

Type	Port size		Top o-ring size
	Front	Side	
HRC/ARC 15	M3	M3	P3
HRC/ARC 20	M3	M3	P4
HRC/ARC/ERC 25	M6	M3	P4
HRC/ARC 30	M6	M6	P5
HRC/ARC 35	M6	M6	P5
HRC/ARC 45	PT1/8	M6	P5
HRC/ARC 55	M6	M6	P5
WRC 21/15	M3	M3	P3
WRC 27/20	M3	M3	P4

General Data

Designation	Compatible with	Remark	Thread	Type
A-M3	Block size 15	-	M3x0.5	Normal
A-M3-L	Block size 15	For block with external seal (SN)	M3x0.5	Normal
B-M3	Block size 20	-	M3x0.5	Normal

Designation	Compatible with	Remark	Thread	Type
B-M3-L	Block size 20	For block with external seal (SN)	M3x0.5	Long
A-M6	Block size 25, 30, 35 & 55	-	M6x0.75	Normal
A-M6-L	Block size 25, 30, 35 & 55	For block with external seal (SN)	M6x0.75	Long
B-M6	Block size 25, 30, 35 & 55	-	M6x0.75	Normal
B-M6-L	Block size 25, 30, 35 & 55	For block with external seal (SN)	M6x0.75	Long
B-PT1/8	Block size 45	-	PT 1/8	Normal
B-PT1/8-L	Block size 45	For block with external seal (SN)	PT 1/8	Long