

Mounted Slider & Rail

The sliders with four rollers, arranged in pairs, maintain the preload over the entire rail length. Pivoting roller mounts coupled with concentric and eccentric rollers allows for a smooth operation over complex rail layouts.

Rails can be ordered with constant or variable radius according to requirements. The use of standard radii is recommended. The layout of CKR guide rails corresponds to a partial section of a complete circle. CVR curvilinear rail is a variable combination of various radii and straight partial pieces.

Slider and rails in stainless steel, or carbon steel rails with tempered raceways are available as option. Contact us for more information

We customize each application according to drawing.

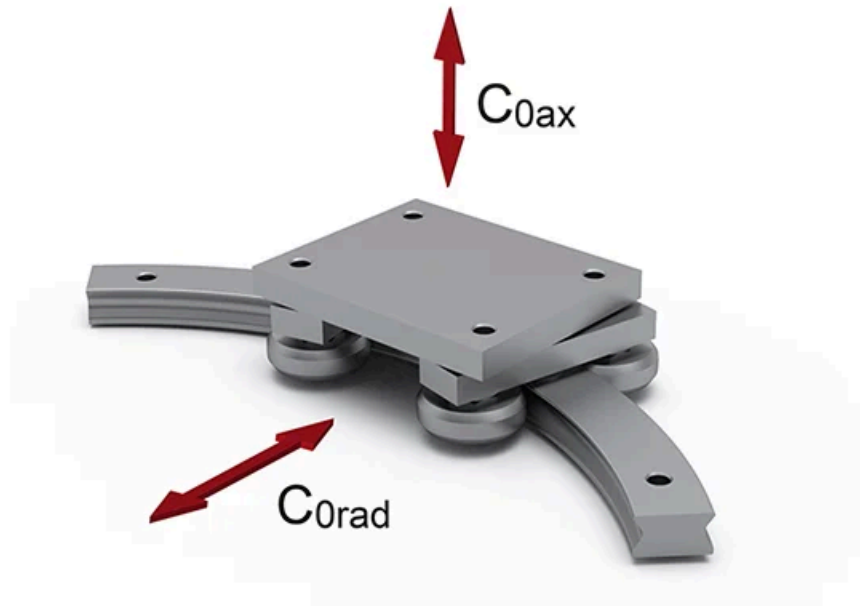
See document Technical Information for further details.

Dimensions in mm.

Please contact us for CAD-files.

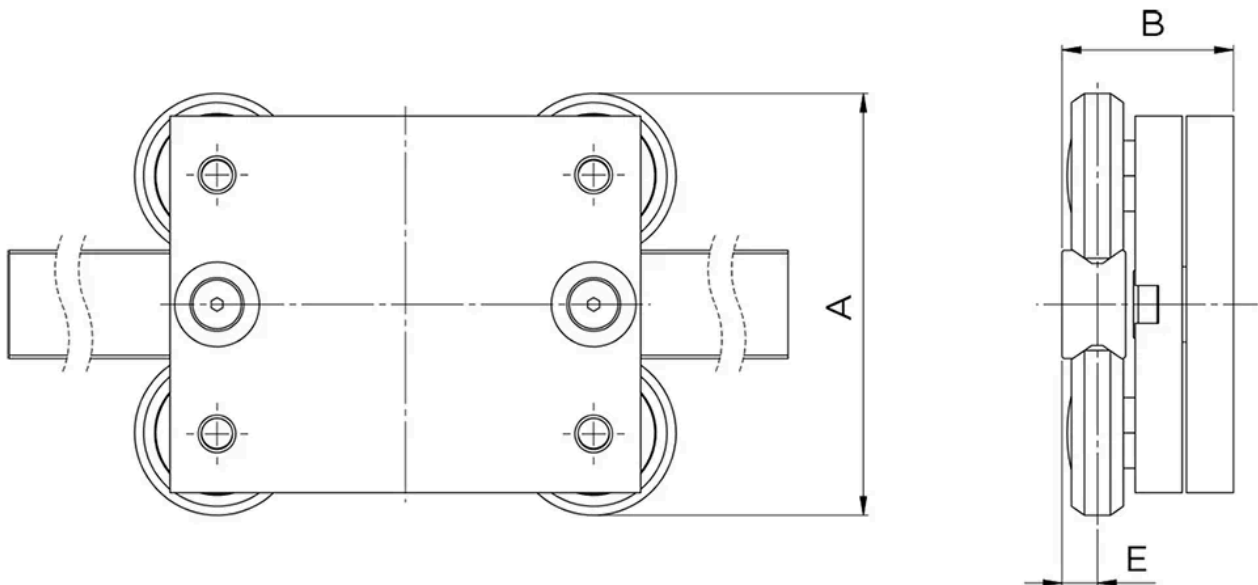


General Data



Designation	Load Capacity C0ax (N)	Load Capacity C0rad (N)
CKR01-CCT08	400	570
CVR01-CCT08	400	570
CKR05-CCT11	1130	1615
CVR05-CCT11	1130	1615

Dimensions



Designation	A	B	E
CKR01-CCT08	60	32.3	5.7
CVR01-CCT08	60	32.3	5.7

Designation	A	B	E
CKR05-CCT11	89.5	36.4	7.5
CVR05-CCT11	89.5	36.4	7.5