

Rollers CRPN-CRPA

Available individually in all sizes as eccentric or concentric rollers. Crowned roller for K-rail.

Roller seals: Standard 2Z (2ZR for size 63) is the steel cover disc, which is supplied on all standard sliders.

For dusty environment and splash-proof applications, 2RS rubber seal rollers are available.

Rollers are lubricated for life.



Dimensions in mm.

Material: Steel 100Cr6. Also available in stainless steel AISI 440.

General Data

| Designation | Size | Roller type | Material |
|--------------|------|-------------|-----------------|
| CRPN43-2Z | 43 | Concentric | Steel |
| CRXPNX43-2RS | 43 | Concentric | Stainless steel |
| CRPA43-2Z | 43 | Eccentric | Steel |
| CRXPAX43-2RS | 43 | Eccentric | Stainless steel |
| CRPN63-2ZR | 63 | Concentric | Steel |
| CRXPNX63-2RS | 63 | Concentric | Stainless steel |
| CRPA63-2ZR | 63 | Eccentric | Steel |
| CRXPAX63-2RS | 63 | Eccentric | Stainless steel |

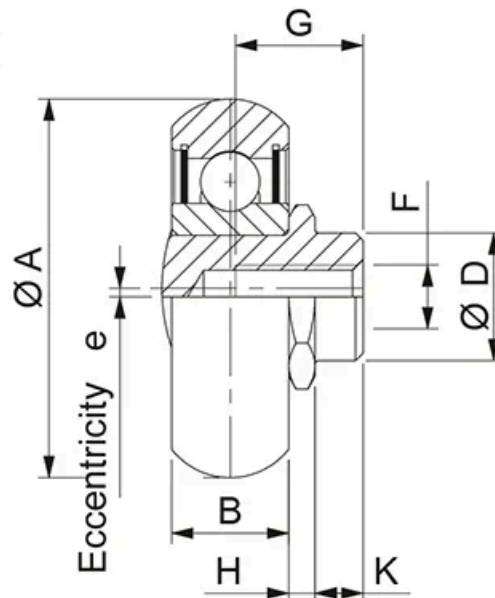
Dimensions

Version

Crowned (K-rail)

CRPN
Concentric roller

CRPA
Eccentric roller



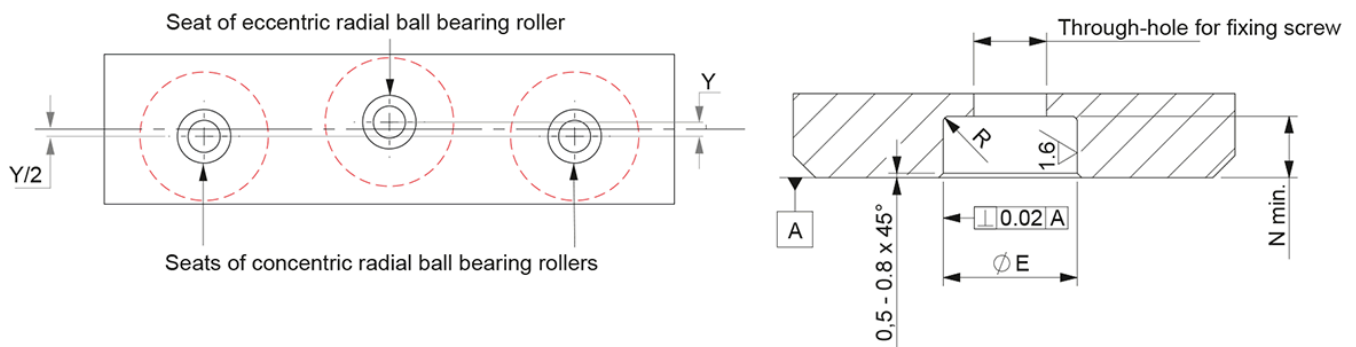
| Designation | A | B | D | e | H | G | F | K |
|--------------|------|------|----|-----|-----|----|-----|-----|
| CRPN43-2Z | 35.6 | 11 | 12 | - | 2.5 | 12 | M6 | 4.5 |
| CRXPNX43-2RS | 35.6 | 11 | 12 | - | 2.5 | 12 | M6 | 4.5 |
| CRPA43-2Z | 35.6 | 11 | 12 | 0.8 | 2.5 | 12 | M6 | 4.5 |
| CRXPAX43-2RS | 35.6 | 11 | 12 | 0.8 | 2.5 | 12 | M6 | 4.5 |
| CRPN63-2ZR | 49.7 | 17.5 | 18 | - | 2.3 | 16 | M8 | 6 |
| CRXPNX63-2RS | 49.7 | 17.5 | 18 | - | 2.3 | 16 | M8 | 6 |
| CRPA63-2ZR | 49.7 | 17.5 | 18 | 1.2 | 2.3 | 16 | M10 | 6 |
| CRXPAX63-2RS | 49.7 | 17.5 | 18 | 1.2 | 2.3 | 16 | M10 | 6 |

Load & Weight

| Designation | C (N) | C0rad (N) | Weight (kg) |
|--------------|-------|-----------|-------------|
| CRPN43-2Z | 6140 | 2550 | 0.06 |
| CRXPNX43-2RS | 6140 | 2550 | 0.06 |
| CRPA43-2Z | 6140 | 2550 | 0.06 |

| Designation | C (N) | C0rad (N) | Weight (kg) |
|--------------|-------|-----------|-------------|
| CRXPAX43-2RS | 6140 | 2550 | 0.06 |
| CRPN63-2ZR | 15375 | 5775 | 0.19 |
| CRXPNX63-2RS | 15375 | 5775 | 0.19 |
| CRPA63-2ZR | 15375 | 5775 | 0.19 |
| CRXPAX63-2RS | 15375 | 5775 | 0.19 |

Assembly Dimensions & Tolerances



When installing Radial ball bearing rollers on your own structure we advise:

- Using a maximum of 2 concentric radial ball bearing rollers.
- Offset the seats of the concentric radial ball bearing rollers with respect to those of the eccentric radial ball bearing rollers according to the information below.

| Designation | Y | E | N min. | Radius R |
|--------------|------|-----------------|--------|----------|
| CRPN43-2Z | 0.72 | 12 + 0.05/+0.02 | 5.5 | 1 |
| CRXPNX43-2RS | 0.72 | 12 + 0.05/+0.02 | 5.5 | 1 |
| CRPA43-2Z | 0.72 | 12 + 0.05/+0.02 | 5.5 | 1 |
| CRXPAX43-2RS | 0.72 | 12 + 0.05/+0.02 | 5.5 | 1 |
| CRPN63-2ZR | 0.55 | 18 + 0.02/-0.02 | 7 | 1 |
| CRXPNX63-2RS | 0.55 | 18 + 0.02/-0.02 | 7 | 1 |
| CRPA63-2ZR | 0.55 | 18 + 0.02/-0.02 | 7 | 1 |
| CRXPAX63-2RS | 0.55 | 18 + 0.02/-0.02 | 7 | 1 |