

## Rollers for Solid Version

### CONCENTRIC ROLLER

RSBN: Standard bearing steel

RXBN: Stainless bearing steel (AISI-440C)

### ECCENTRIC ROLLER

RSBA: Standard bearing steel

RXBA: Stainless bearing steel (AISI-440C)

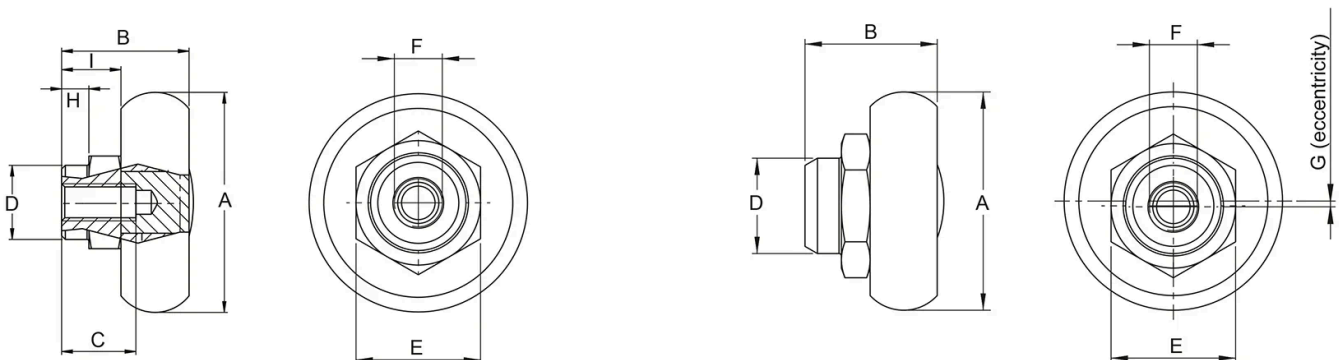
Standard slider is with 3 rollers. The rollers can also be mounted directly into your application or we can make special sliders according to your need. Please contact Rollco for more information.



## General Data

| Designation | Weight (kg) |
|-------------|-------------|
| RSBN20-2Z   | 0.006       |
| RXBN20-2RS  | 0.006       |
| RSBA20-2Z   | 0.006       |
| RXBA20-2RS  | 0.006       |
| RSBN30-2Z   | 0.022       |
| RXBN30-2RS  | 0.022       |
| RSBA30-2Z   | 0.022       |
| RXBA30-2RS  | 0.022       |
| RSBN45-2Z   | 0.07        |
| RXBN45-2RS  | 0.07        |
| RSBA45-2Z   | 0.07        |
| RXBA45-2RS  | 0.07        |

## Dimensions



| Designation | A             | B    | C  | D              | E  | F  | G   | H   | I   |
|-------------|---------------|------|----|----------------|----|----|-----|-----|-----|
| RSBN20-2Z   | 14 +0/-0.04   | 8.7  | 6  | 6 -0.02/-0.08  | 8  | M4 | -   | 1.8 | 4.7 |
| RXBN20-2RS  | 14 +0/-0.04   | 8.7  | 6  | 6 -0.02/-0.08  | 8  | M4 | -   | 1.8 | 4.7 |
| RSBA20-2Z   | 14 +0/-0.04   | 8.7  | 6  | 6 -0.02/-0.08  | 8  | M4 | 0.5 | 1.8 | 4.7 |
| RXBA20-2RS  | 14 +0/-0.04   | 8.7  | 6  | 6 -0.02/-0.08  | 8  | M4 | 0.5 | 1.8 | 4.7 |
| RSBN30-2Z   | 22.8 +0/-0.05 | 13.8 | 7  | 10 -0.04/-0.10 | 13 | M5 | -   | 3.8 | 6.8 |
| RXBN30-2RS  | 22.8 +0/-0.05 | 13.8 | 7  | 10 -0.04/-0.10 | 13 | M5 | -   | 3.8 | 6.8 |
| RSBA30-2Z   | 22.8 +0/-0.05 | 13.8 | 7  | 10 -0.04/-0.10 | 13 | M5 | 0.6 | 3.8 | 6.8 |
| RXBA30-2RS  | 22.8 +0/-0.05 | 13.8 | 7  | 10 -0.04/-0.10 | 13 | M5 | 0.6 | 3.8 | 6.8 |
| RSBN45-2Z   | 35.6 +0/-0.06 | 20.6 | 12 | 12 -0.04/-0.10 | 15 | M6 | -   | 4.5 | 9.6 |
| RXBN45-2RS  | 35.6 +0/-0.06 | 20.6 | 12 | 12 -0.04/-0.10 | 15 | M6 | -   | 4.5 | 9.6 |
| RSBA45-2Z   | 35.6 +0/-0.06 | 20.6 | 12 | 12 -0.04/-0.10 | 15 | M6 | 0.8 | 4.5 | 9.6 |
| RXBA45-2RS  | 35.6 +0/-0.06 | 20.6 | 12 | 12 -0.04/-0.10 | 15 | M6 | 0.8 | 4.5 | 9.6 |