

KBA...UUOP

Dimensions in mm.
Other types available on request.

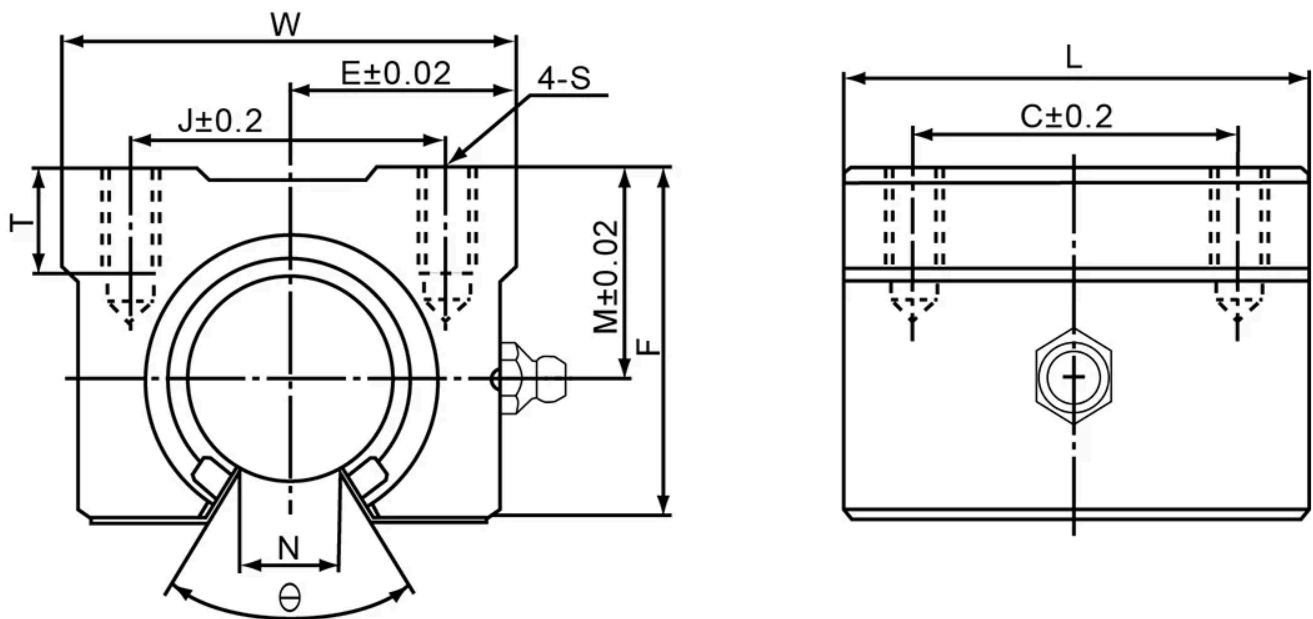
Material: Aluminium 6063 + 100Cr6



General Data

Designation	Dynamic Load Capacity (N)	Static Load Capacity (N)
KBA16UUOP	590	910
KBA20UUOP	880	1400
KBA25UUOP	1000	1600
KBA30UUOP	1600	2800
KBA40UUOP	2200	4100

Dimensions



Designation	L	W	N	θ	C	E	F	J	M
KBA16UUOP	45	45	10	80	30	22.5	33	32	20
KBA20UUOP	50	48	10	60	35	24	39	35	23
KBA25UUOP	65	60	11.5	60	40	30	47	40	27
KBA30UUOP	70	70	14	60	50	35	56	50	33
KBA40UUOP	90	90	19	60	65	45	72	65	42

Designation	S	T	Inscribed Circle Diameter
KBA16UUOP	M5	12	16
KBA20UUOP	M6	12	20
KBA25UUOP	M6	12	25
KBA30UUOP	M8	18	30
KBA40UUOP	M10	20	40