

WV

Dimensions in mm.

Other types available on request.

Material: Quenched and tempered steel Cf53 / 1.1213 / C53G

Surface hardness: 59 HRC min. Hardening depth according to DIN ISO 18203.

Coating: Chrome layer, thickness ca. 10 µm. Layer hardness ≥ 800 HV.

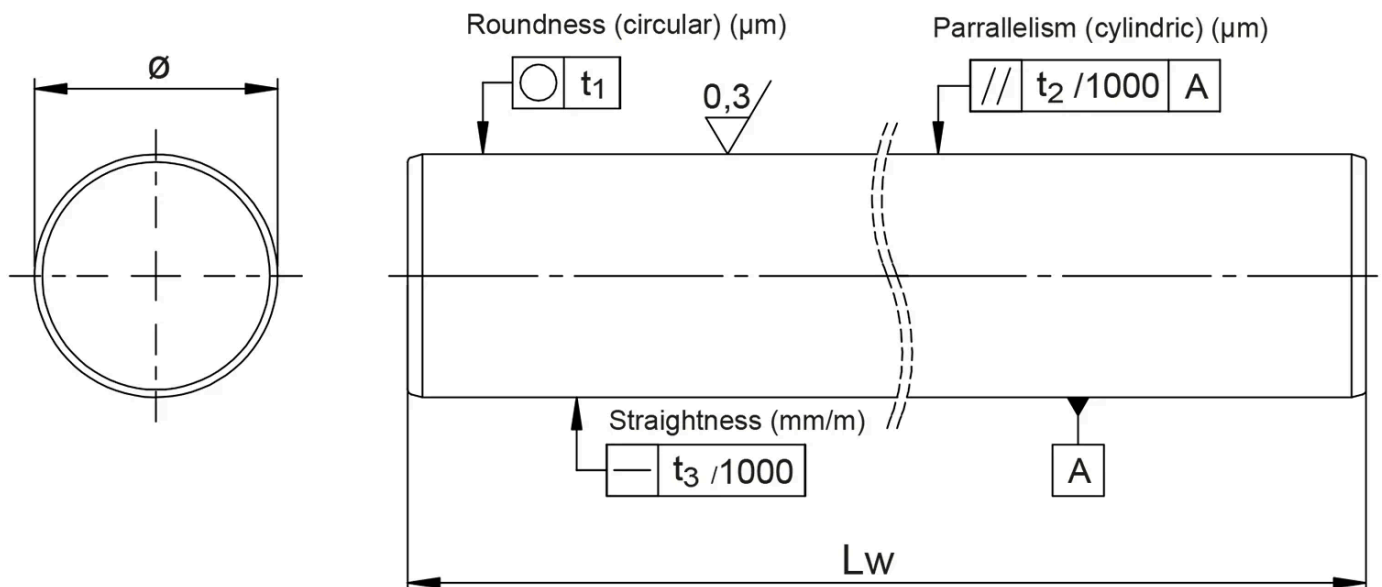
Standard Tolerance: ISO h7



General Data

Designation	Weight (kg/m)
WV10	0.62
WV12	0.89
WV16	1.58
WV20	2.47
WV25	3.85
WV30	5.55
WV40	9.86

Dimensions



Designation	Lw (mm)	Diameter	Hardening Depth (mm)	Roundness t1 (μm)	Parallelism t2 (μm)	Straightness t3 (mm/m)
WV10	6000	10	0.4	6	9	0.3
WV12	6000	12	0.6	8	11	0.3
WV16	6000	16	0.6	8	11	0.2
WV20	6000	20	0.9	9	13	0.2
WV25	6000	25	0.9	9	13	0.2
WV30	6000	30	0.9	9	13	0.2
WV40	6000	40	1.5	11	16	0.2