

WRB

Dimensions in mm.

Reduction of load rating for linear ball bearing because of less hardness.

Other types available on request.

Material: X46Cr13 / 1.4034

Surface hardness: 52 HRC min. Hardening depth according to DIN ISO 18203.

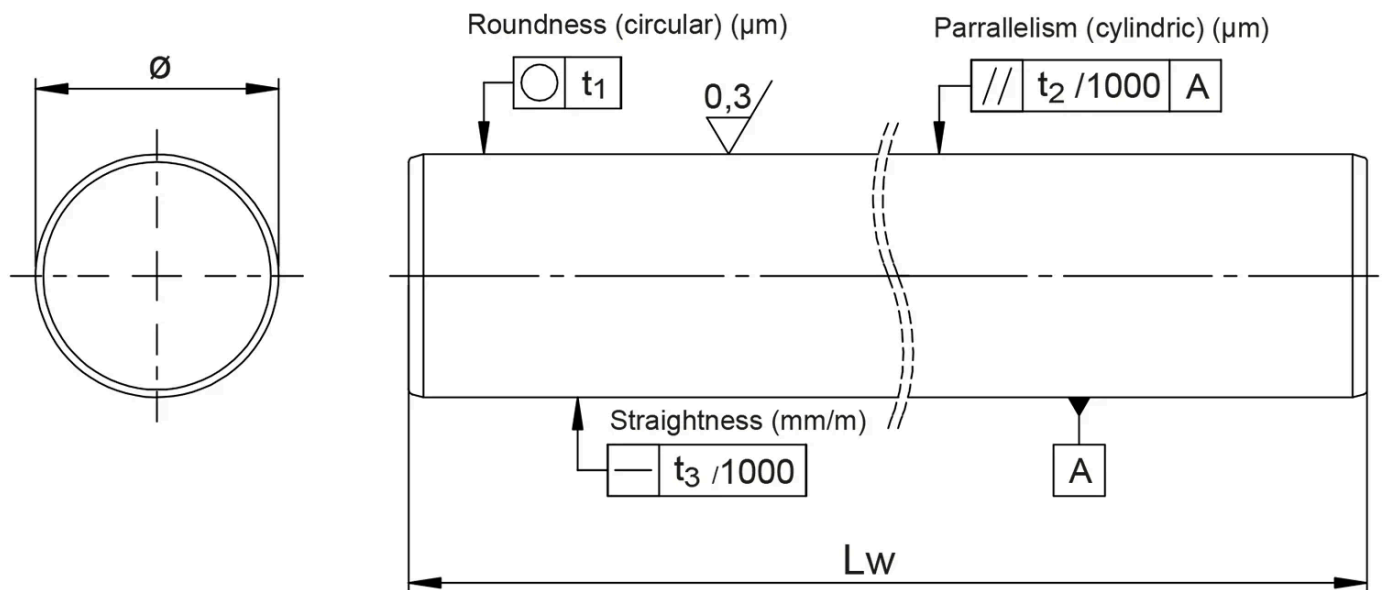
Standard Tolerance: ISO h6



General Data

Designation	Weight (kg/m)
WRB5	0.15
WRB6	0.22
WRB8	0.39
WRB10	0.62
WRB12	0.89
WRB14	1.21
WRB16	1.58
WRB20	2.47
WRB25	3.85
WRB30	5.55
WRB40	9.86
WRB50	15.41
WRB60	22.2

Dimensions



Designation	Lw (mm)	Diameter	Hardening Depth (mm)	Roundness t1 (μm)	Parallelism t2 (μm)	Straightness t3 (mm/m)
WRB5	3000	5	0.4	4	5	0.3
WRB6	6000	6	0.4	4	5	0.3
WRB8	6000	8	0.4	4	6	0.3
WRB10	6000	10	0.4	4	6	0.3
WRB12	6000	12	0.6	5	8	0.3
WRB14	6000	14	0.6	5	8	0.3
WRB16	6000	16	0.6	5	8	0.2
WRB20	6000	20	0.9	6	9	0.2
WRB25	6000	25	0.9	6	9	0.2
WRB30	6000	30	0.9	6	9	0.2

Designation	Lw (mm)	Diameter	Hardening Depth (mm)	Roundness t1 (µm)	Parallelism t2 (µm)	Straightness t3 (mm/m)
WRB40	6000	40	1.5	7	11	0.2
WRB50	6000	50	1.5	7	11	0.2
WRB60	6000	60	2.2	8	13	0.2