

## FTSU

Aluminium with mounting holes.

Standard section length  $L = 4000$  mm. Lengths other than standard ( $L_{\max} = 4000$  mm) are also available on request.

Support rails can be supplied upon request, with or without mounting holes. No anodizing in holes.

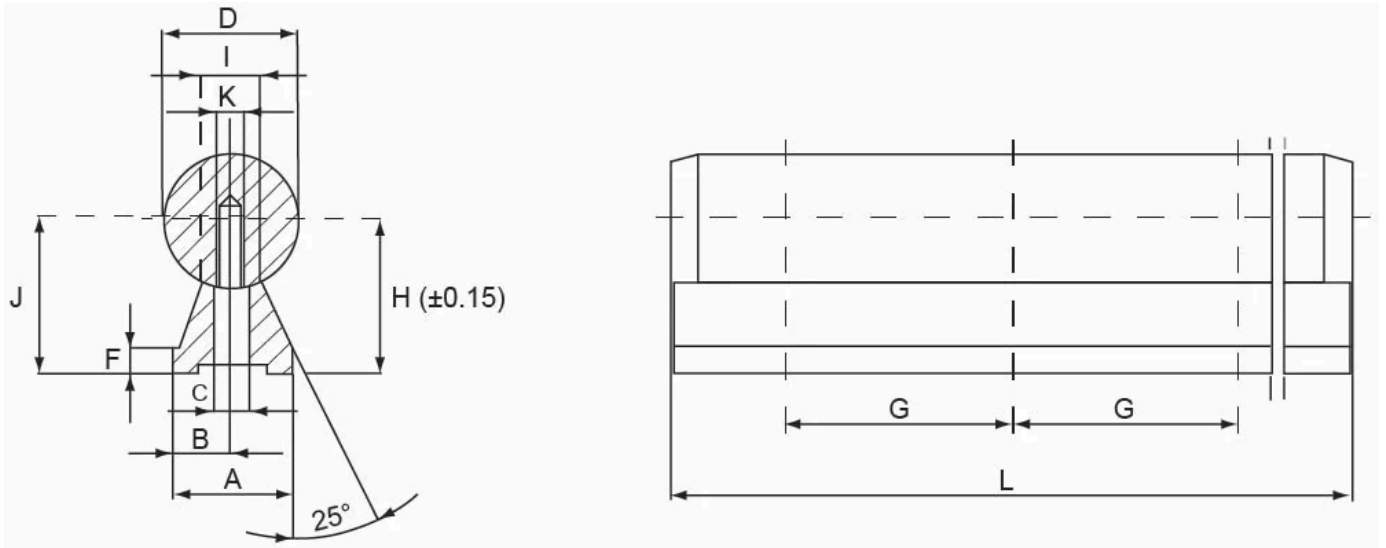
Dimensions in mm.

Note: The shaft is not included, please order separately.

**Material:** Aluminium



## Dimensions



Designation	Remark	G	A	B	H	D	K	F	C
<b>FTSU16G</b>	Standard section length L = 4000 mm	100	14	7	18	16	M5	3	5.5
<b>FTSU20G</b>	Standard section length L = 4000 mm	100	17	8.5	22	20	M6	3	6.6
<b>FTSU25G</b>	Standard section length L = 4000 mm	120	21	10.5	26	25	M8	3	9
<b>FTSU30G</b>	Standard section length L = 4000 mm	150	23	11.5	30	30	M10	3	11
<b>FTSU40G</b>	Standard section length L = 4000 mm	200	40	15	39	40	M10	4	13.5

Designation	I	J
<b>FTSU16G</b>	7	19
<b>FTSU20G</b>	8.1	23
<b>FTSU25G</b>	10.3	28.5
<b>FTSU30G</b>	11	32
<b>FTSU40G</b>	15	39.5