

Synchronisation Shaft OSL

For longer distances bearing supports are needed, please contact Rollco.

For CAD-files contact Rollco.

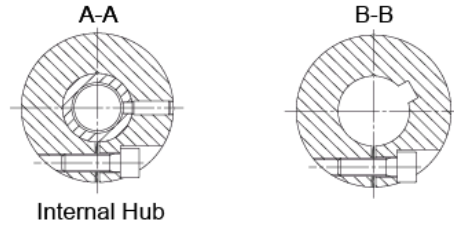
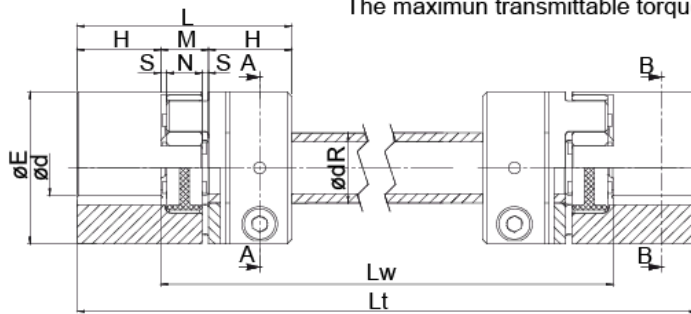
Dimensions in mm.

Explanations to the table below:
CT = Torsional rigidity per meter (Nm/rad)

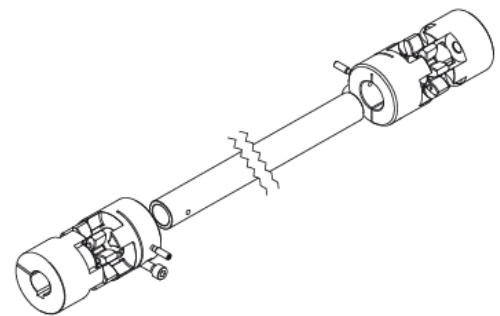
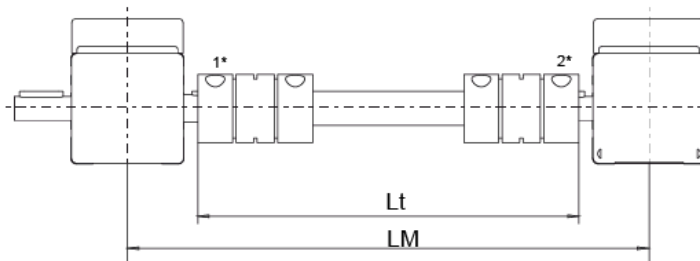


General Data

The maximum transmittable torque of the clamping hub depends on the bore diameter.



Internal Hub



Designation	Internal Hub Ms (Nm)	Internal Hub MT (Nm)	CT (Nm/rad)	Mass Moment of Inertia (10 ⁻⁶ kg m ²)	E
OSL-14	1.34	6	59	-	30
OSL-19/24	10	34	314	72.4 + 0.0324 × Lw	40
OSL-24/28	10	45	596	-	55
OSL-28/38	25	105	2868	-	65
OSL-38/45	25	123	4521	-	80

Designation	H	L	M	N	S	Weight (kg)
OSL-14	11	35	13	10	1.5	0.072 + 0.00021 × Lw
OSL-19/24	25	66	16	12	2	0.284 + 0.00044 × Lw
OSL-24/28	30	78	18	14	2	0.624 + 0.00048 × Lw
OSL-28/38	35	90	20	15	2.5	0.960 + 0.00128 × Lw
OSL-38/45	45	114	24	18	3	1.760 + 0.00149 × Lw

Designation	ød min.	ød max.	Lw min.	Lt	dR x thickness	Moment of inertia (10 ⁻⁶ kg*m ²)
OSL-14	4	16	48	On request	14 × 2.0	10.4 + 0.0076 × Lw
OSL-19/24	6	24	82	On request	20 × 3.0	72.4 + 0.0324 × Lw
OSL-24/28	8	28	96	On request	25 × 2.5	300 + 0.0614 × Lw
OSL-28/38	10	38	110	On request	35 × 5.0	656 + 0.2954 × Lw
OSL-38/45	12	45	138	On request	40 × 5.0	1862 + 0.4656 × Lw