

Motor adapters MTJ ECO

Motor adapters for Linear Units MTJ ECO.
Mounting screws are included!

Please note that coupling must be ordered separately.

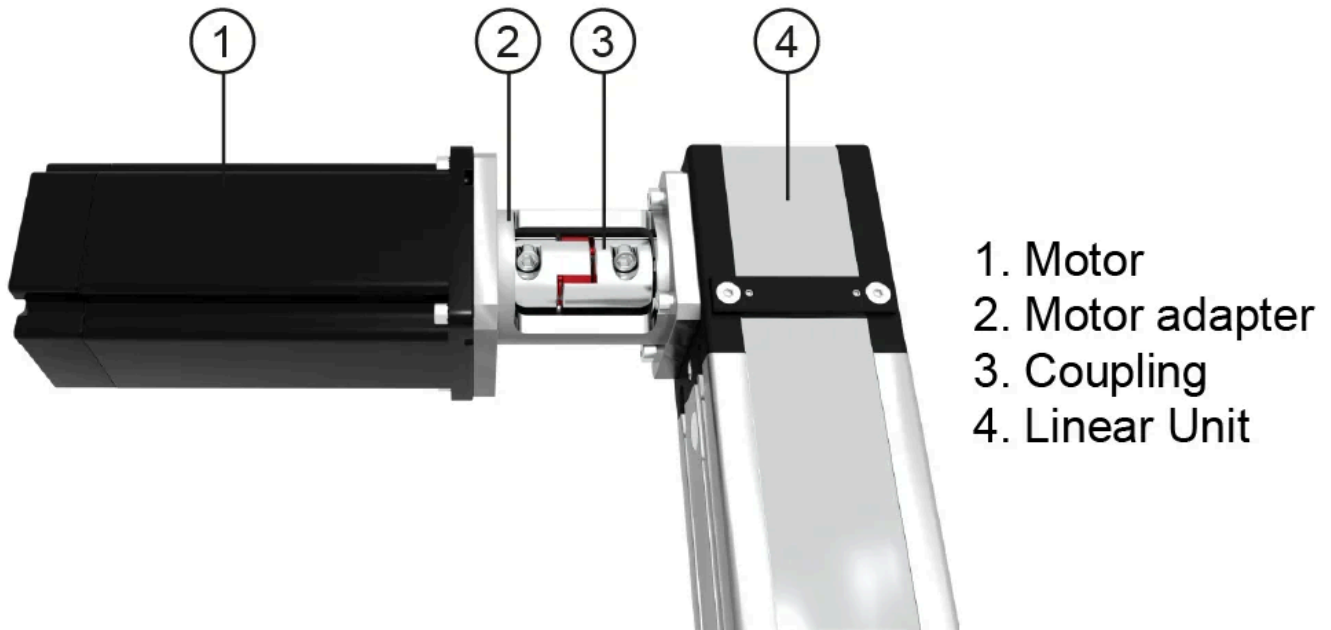
Note: This is an dummy item. The motor flange will be designed after receipt of order and drawing (.stp file) of requested motor type. The geometry of motor flange can be changed in order to adapt it to a requested motor type.

Dimensions in mm.

For order information, see Order Codes.



General Data



- 1. Motor
- 2. Motor adapter
- 3. Coupling
- 4. Linear Unit

| Designation | Description | Compatible with | Motor Type Flange | Coupling |
|--------------------|----------------------------|-----------------|-------------------|----------|
| VK - 55 - 65757 | VK MTJ40ECO 55 GESM14 | MTJ40ECO | Ø 55 | GESM14 |
| VK - 60x60 - 65759 | VK MTJ40ECO 60 X 60 GESM14 | MTJ40ECO | 60 x 60 | GESM14 |
| VK - 65 - 65760 | VK MTJ40ECO 65 GESM14 | MTJ40ECO | Ø 65 | GESM14 |
| VK - 70x70 - 65761 | VK MTJ40ECO 70 X 70 GESM14 | MTJ40ECO | 70 x 70 | GESM14 |
| VK - 80 - 65763 | VK MTJ40ECO 80 GESM14 | MTJ40ECO | Ø 80 | GESM14 |
| VK - 85x85 - 65764 | VK MTJ40ECO 85 X 85 GESM14 | MTJ40ECO | 85 x 85 | GESM14 |