

## SGS

Dimensions in mm.

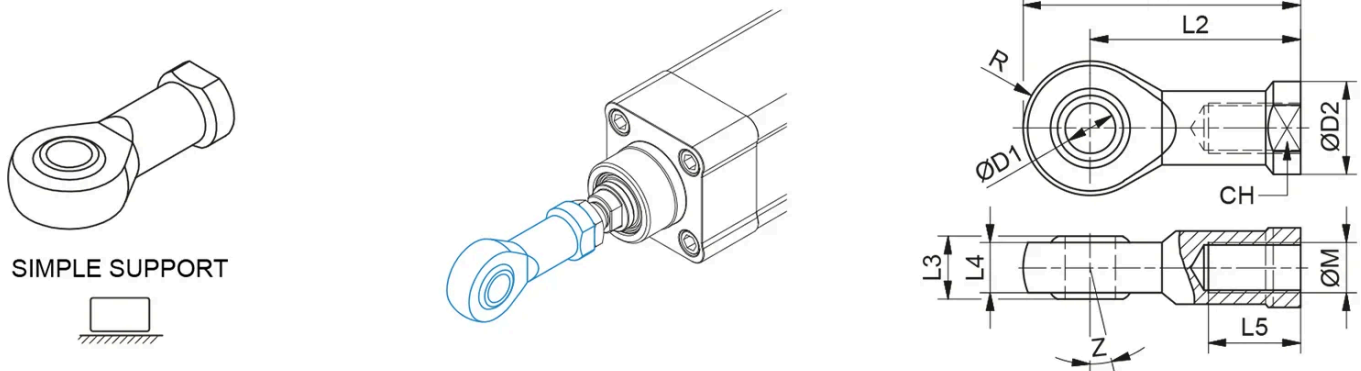
**Material:** Galvanized or stainless steel AISI 304



## General Data

Designation	Description	Compatible with	Material	Fmax (N)	Mass (kg)
SGS 32 - 9206	SGS 32	PNCE 32	Galvanized steel	F PNCE	0.08
SGS 32 CR - 69550	SGS 32 CR	PNCE 32	Stainless steel AISI 304	F PNCE	0.08
SGS 40 - 9208	SGS 40	PNCE 40	Galvanized steel	F PNCE	0.11
SGS 40 CR - 69551	SGS 40 CR	PNCE 40	Stainless steel AISI 304	F PNCE	0.11
SGS 50 - 9210	SGS 50	PNCE 50	Galvanized steel	F PNCE	0.22
SGS 50 CR - 50691	SGS 50 CR	PNCE 50	Stainless steel AISI 304	F PNCE	0.22
SGS 63 - 9210	SGS 63	PNCE 63	Galvanized steel	F PNCE	0.22
SGS 63 CR - 50691	SGS 63 CR	PNCE 63	Stainless steel AISI 304	F PNCE	0.22
SGS 80 - 9211	SGS 80	PNCE 80	Galvanized steel	F PNCE	0.41
SGS 80 CR - 49572	SGS 80 CR	PNCE 80	Stainless steel AISI 304	F PNCE	0.41
SGS 100 - 9211	SGS 100	PNCE 100	Galvanized steel	F PNCE	0.41
SGS 100 CR - 49572	SGS 100 CR	PNCE 100	Stainless steel AISI 304	F PNCE	0.41

## Dimensions



Designation	M	L1	L2	L3	L4	L5	D1	D2	R
SGS 32 - 9206	Ø M10 × 1.25	57	43	14	10.5	20	Ø 10 (H7)	Ø 19	14
SGS 32 CR - 69550	Ø M10 × 1.25	57	43	14	10.5	20	Ø 10 (H7)	Ø 19	14
SGS 40 - 9208	Ø M12 × 1.25	66	50	16	12	22	Ø 12 (H7)	Ø 22	16
SGS 40 CR - 69551	Ø M12 × 1.25	66	50	16	12	22	Ø 12 (H7)	Ø 22	16
SGS 50 - 9210	Ø M16 × 1.5	85	64	21	15	28	Ø 16 (H7)	Ø 27	21
SGS 50 CR - 50691	Ø M16 × 1.5	85	64	21	15	28	Ø 16 (H7)	Ø 27	21
SGS 63 - 9210	Ø M16 × 1.5	85	64	21	15	28	Ø 16 (H7)	Ø 27	21
SGS 63 CR - 50691	Ø M16 × 1.5	85	64	21	15	28	Ø 16 (H7)	Ø 27	21
SGS 80 - 9211	Ø M20 × 1.5	102	77	25	18	33	Ø 20 (H7)	Ø 34	25
SGS 80 CR - 49572	Ø M20 × 1.5	102	77	25	18	33	Ø 20 (H7)	Ø 34	25
SGS 100 - 9211	Ø M20 × 1.5	102	77	25	18	33	Ø 20 (H7)	Ø 34	25
SGS 100 CR - 49572	Ø M20 × 1.5	102	77	25	18	33	Ø 20 (H7)	Ø 34	25

Designation	CH	Z
SGS 32 - 9206	17	13°
SGS 32 CR - 69550	17	13°

Designation	CH	Z
SGS 40 - 9208	19	13°
SGS 40 CR - 69551	19	13°
SGS 50 - 9210	22	15°
SGS 50 CR - 50691	22	15°
SGS 63 - 9210	22	15°
SGS 63 CR - 50691	22	15°
SGS 80 - 9211	30	14°
SGS 80 CR - 49572	30	14°
SGS 100 - 9211	30	14°
SGS 100 CR - 49572	30	14°