

FG

Dimensions in mm.

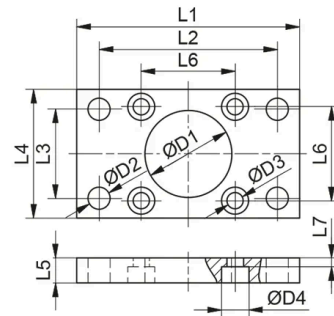
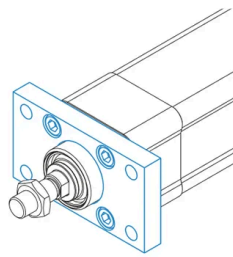
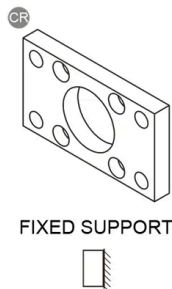
Material: Galvanized or stainless steel AISI 304



General Data

Designation	Description	Compatible with	Material	Fmax (N)	Mass (kg)
FG 32 - 5485	FG 32	PNCE 32	Galvanized steel	F PNCE	0.22
FG 32 CR - 69495	FG 32 CR	PNCE 32	Stainless steel AISI 304	F PNCE	0.22
FG 40 - 5487	FG 40	PNCE 40	Galvanized steel	F PNCE	0.28
FG 40 CR - 69497	FG 40 CR	PNCE 40	Stainless steel AISI 304	F PNCE	0.28
FG 50 - 5489	FG 50	PNCE 50	Galvanized steel	F PNCE	0.53
FG 50 CR - 69498	FG 50 CR	PNCE 50	Stainless steel AISI 304	F PNCE	0.53
FG 63 - 5491	FG 63	PNCE 63	Galvanized steel	F PNCE	0.68
FG 63 CR - 69499	FG 63 CR	PNCE 63	Stainless steel AISI 304	F PNCE	0.68
FG 80 - 83009	FG 80	PNCE 80	Galvanized steel	F PNCE	1.4
FG 80 CR - 83013	FG 80 CR	PNCE 80	Stainless steel AISI 304	F PNCE	1.4
FG 100 - 83010	FG 100	PNCE 100	Galvanized steel	F PNCE	1.92
FG 100 CR - 83014	FG 100 CR	PNCE 100	Stainless steel AISI 304	F PNCE	1.92

Dimensions



Designation	L1	L2	L3	L4	L5	L6	L7	D1	D2
FG 32 - 5485	80	64	32	45	10	32.5	5	Ø 30 (H11)	Ø 7 (H13)
FG 32 CR - 69495	80	64	32	45	10	32.5	5	Ø 30 (H11)	Ø 7 (H13)
FG 40 - 5487	90	72	36	52	10	38	5	Ø 35 (H11)	Ø 9 (H13)
FG 40 CR - 69497	90	72	36	52	10	38	5	Ø 35 (H11)	Ø 9 (H13)
FG 50 - 5489	110	90	45	65	12	46.5	6.5	Ø 40 (H11)	Ø 9 (H13)
FG 50 CR - 69498	110	90	45	65	12	46.5	6.5	Ø 40 (H11)	Ø 9 (H13)
FG 63 - 5491	120	100	50	75	12	56.5	6.5	Ø 45 (H11)	Ø 9 (H13)
FG 63 CR - 69499	120	100	50	75	12	56.5	6.5	Ø 45 (H11)	Ø 9 (H13)
FG 80 - 83009	150	126	63	95	16	72	9	Ø 60 (H11)	Ø 12 (H13)
FG 80 CR - 83013	150	126	63	95	16	72	9	Ø 60 (H11)	Ø 12 (H13)
FG 100 - 83010	170	150	75	115	16	89	9	Ø 70 (H11)	Ø 14 (H13)
FG 100 CR - 83014	170	150	75	115	16	89	9	Ø 70 (H11)	Ø 14 (H13)

Designation	D3	D4
FG 32 - 5485	Ø 6.5	Ø 10.5
FG 32 CR - 69495	Ø 6.5	Ø 10.5
FG 40 - 5487	Ø 6.5	Ø 10.5
FG 40 CR - 69497	Ø 6.5	Ø 10.5
FG 50 - 5489	Ø 8.5	Ø 13.5
FG 50 CR - 69498	Ø 8.5	Ø 13.5
FG 63 - 5491	Ø 8.5	Ø 13.5
FG 63 CR - 69499	Ø 8.5	Ø 13.5
FG 80 - 83009	Ø 10.5	Ø 16.5
FG 80 CR - 83013	Ø 10.5	Ø 16.5
FG 100 - 83010	Ø 10.5	Ø 16.5
FG 100 CR - 83014	Ø 10.5	Ø 16.5