

## SSG

Dimensions in mm.

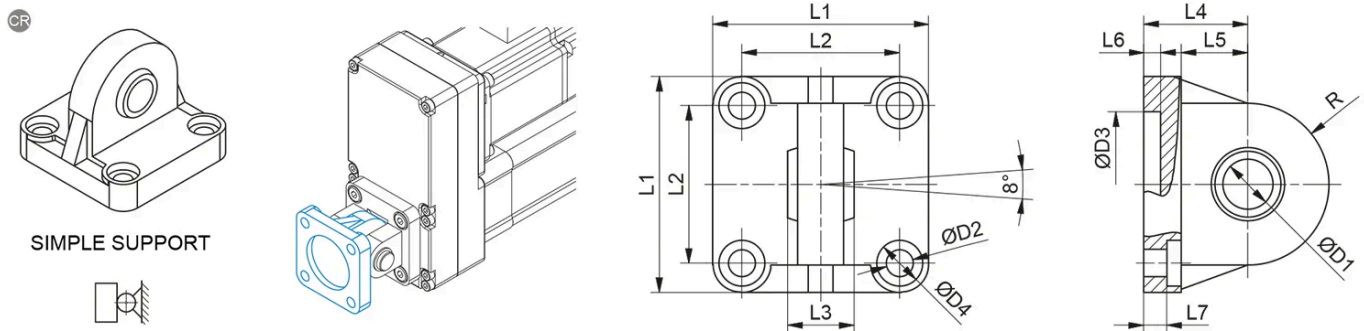
**Material:** Aluminium or stainless steel AISI 316



## General Data

Designation	Description	Compatible with	Material	Fmax (N)	Mass (kg)
SSG 32 - 9292	SSG 32	PNCE 32	Aluminium	F PNCE	0.09
SSG 32 CR - 69542	SSG 32 CR	PNCE 32	Stainless steel AISI 316	F PNCE	0.18
SSG 40 - 9294	SSG 40	PNCE 40	Aluminium	F PNCE	0.13
SSG 40 CR - 69544	SSG 40 CR	PNCE 40	Stainless steel AISI 316	F PNCE	0.29
SSG 50 - 9296	SSG 50	PNCE 50	Aluminium	14400	0.24
SSG 50 CR - 50709	SSG 50 CR	PNCE 50	Stainless steel AISI 316	14400	0.42
SSG 63 - 9298	SSG 63	PNCE 63	Aluminium	14400	0.3
SSG 63 CR - 69546	SSG 63 CR	PNCE 63	Stainless steel AISI 316	14400	0.66
SSG 80 - 9300	SSG 80	PNCE 80	Aluminium	22500	0.54
SSG 80 CR - 83249	SSG 80 CR	PNCE 80	Stainless steel AISI 316	22500	1.24
SSG 100 - 19731	SSG 100	PNCE 100	Aluminium	22500	0.68
SSG 100 CR - 83250	SSG 100 CR	PNCE 100	Stainless steel AISI 316	22500	1.9

## Dimensions



Designation	L1	L2	L3	L4	L5	L6	L7	D1	D2
SSG 32 - 9292	45	32.5	14	22 (JS 15)	12	5	5.5 (±0.5)	Ø 10 (H7)	Ø 6.6 (H13)
SSG 32 CR - 69542	45	32.5	14	22 (JS 15)	12	5	5.5 (±0.5)	Ø 10 (H7)	Ø 6.6 (H13)
SSG 40 - 9294	52	38	16	25 (JS 15)	15	5	5.5 (±0.5)	Ø 12 (H7)	Ø 6.6 (H13)
SSG 40 CR - 69544	55	38	16	25 (JS 15)	15	5	5.5 (±0.5)	Ø 12 (H7)	Ø 6.6 (H13)
SSG 50 - 9296	65	46.5	21	27 (JS 15)	15	5	6.5 (±0.5)	Ø 16 (H7)	Ø 9 (H13)
SSG 50 CR - 50709	65	46.5	21	27 (JS 15)	17	5	6.5 (±0.5)	Ø 16 (H7)	Ø 9 (H13)
SSG 63 - 9298	75	56.5	21	32 (JS 15)	20	5	6.5 (±0.5)	Ø 16 (H7)	Ø 9 (H13)
SSG 63 CR - 69546	75	56.5	21	32 (JS 15)	20	5	6.5 (±0.5)	Ø 16 (H7)	Ø 9 (H13)
SSG 80 - 9300	95	72	25	36 (JS 15)	20	9	10 (±0.5)	Ø 20 (H7)	Ø 11 (H13)
SSG 80 CR - 83249	95	72	25	36 (JS 15)	22	5	10 (±0.5)	Ø 20 (H7)	Ø 11 (H13)
SSG 100 - 19731	115	89	25	41 (JS 15)	25	9	10 (±0.5)	Ø 20 (H7)	Ø 11 (H13)
SSG 100 CR - 83250	115	89	25	41 (JS 15)	25	5	10 (±0.5)	Ø 20 (H7)	Ø 11 (H13)

Designation	D3	D4	R
SSG 32 - 9292	Ø 30 (H11)	Ø 11 (H13)	16
SSG 32 CR - 69542	Ø 30 (H11)	Ø 11 (H13)	15
SSG 40 - 9294	Ø 35 (H11)	Ø 11 (H13)	18

Designation	D3	D4	R
SSG 40 CR - 69544	Ø 35 (H11)	Ø 11 (H13)	18
SSG 50 - 9296	Ø 40 (H11)	Ø 15 (H13)	21
SSG 50 CR - 50709	Ø 40 (H11)	Ø 15 (H13)	21
SSG 63 - 9298	Ø 45 (H11)	Ø 15 (H13)	23
SSG 63 CR - 69546	Ø 45 (H11)	Ø 15 (H13)	23
SSG 80 - 9300	Ø 45 (H11)	Ø 18 (H13)	28
SSG 80 CR - 83249	Ø 45 (H11)	Ø 18 (H13)	27
SSG 100 - 19731	Ø 55 (H11)	18 (Ø H13)	30
SSG 100 CR - 83250	Ø 55 (H11)	18 (Ø H13)	30