

## SGL

Dimensions in mm.

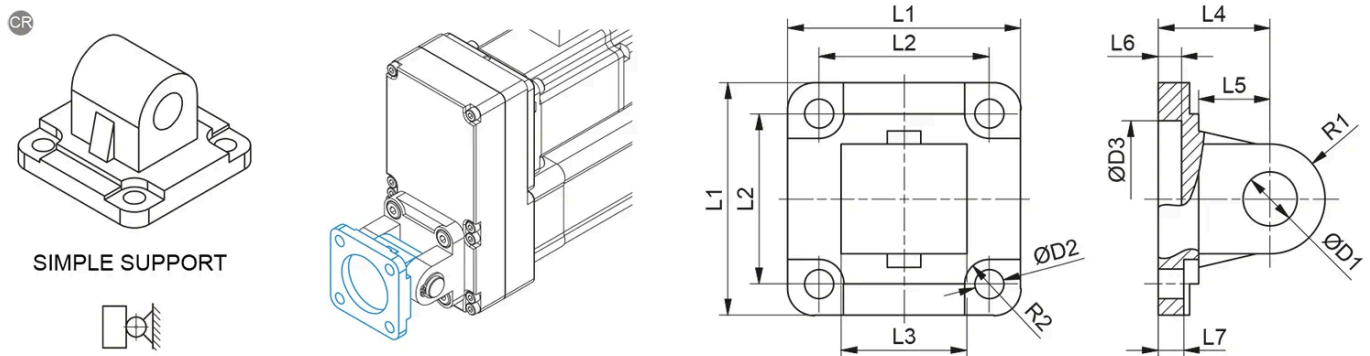
**Material:** Aluminium or stainless steel AISI 304



## General Data

| Designation        | Description | Compatible with | Material                 | Fmax (N) | Mass (kg) |
|--------------------|-------------|-----------------|--------------------------|----------|-----------|
| SGL 32 - 9176      | SGL 32      | PNCE 32         | Aluminium                | F PNCE   | 0.08      |
| SGL 32 CR - 69500  | SGL 32 CR   | PNCE 32         | Stainless steel AISI 304 | F PNCE   | 0.21      |
| SGL 40 - 9178      | SGL 40      | PNCE 40         | Aluminium                | F PNCE   | 0.11      |
| SGL 40 CR - 69501  | SGL 40 CR   | PNCE 40         | Stainless steel AISI 304 | F PNCE   | 0.3       |
| SGL 50 - 9180      | SGL 50      | PNCE 50         | Aluminium                | 9200     | 0.18      |
| SGL 50 CR - 69502  | SGL 50 CR   | PNCE 50         | Stainless steel AISI 304 | 9200     | 0.43      |
| SGL 63 - 9182      | SGL 63      | PNCE 63         | Aluminium                | 14300    | 0.27      |
| SGL 63 CR - 69503  | SGL 63 CR   | PNCE 63         | Stainless steel AISI 304 | 14300    | 0.74      |
| SGL 80 - 9184      | SGL 80      | PNCE 80         | Aluminium                | 19200    | 0.47      |
| SGL 80 CR - 83091  | SGL 80 CR   | PNCE 80         | Stainless steel AISI 304 | 19200    | 1.31      |
| SGL 100 - 9168     | SGL 100     | PNCE 100        | Aluminium                | 27100    | 0.79      |
| SGL 100 CR - 83092 | SGL 100 CR  | PNCE 100        | Stainless steel AISI 304 | 27100    | 2.21      |

## Dimensions



SIMPLE SUPPORT

| Designation        | L1  | L2   | L3 | L4        | L5 | L6 | L7  | D1        | D2          |
|--------------------|-----|------|----|-----------|----|----|-----|-----------|-------------|
| SGL 32 - 9176      | 45  | 32.5 | 26 | 22 (±0.2) | 13 | 5  | 5.5 | Ø 10 (H9) | Ø 6.6 (H13) |
| SGL 32 CR - 69500  | 45  | 32.5 | 26 | 22 (±0.2) | 13 | 5  | 5.5 | Ø 10 (H9) | Ø 6.6 (H13) |
| SGL 40 - 9178      | 52  | 38   | 28 | 25 (±0.2) | 16 | 5  | 5.5 | Ø 12 (H9) | Ø 6.6 (H13) |
| SGL 40 CR - 69501  | 52  | 38   | 28 | 25 (±0.2) | 16 | 5  | 5.5 | Ø 12 (H9) | Ø 6.6 (H13) |
| SGL 50 - 9180      | 65  | 46.5 | 32 | 27 (±0.2) | 16 | 5  | 6.5 | Ø 12 (H9) | Ø 9 (H13)   |
| SGL 50 CR - 69502  | 65  | 46.5 | 32 | 27 (±0.2) | 16 | 5  | 6.5 | Ø 12 (H9) | Ø 9 (H13)   |
| SGL 63 - 9182      | 75  | 56.5 | 40 | 32 (±0.2) | 21 | 5  | 6.5 | Ø 16 (H9) | Ø 9 (H13)   |
| SGL 63 CR - 69503  | 75  | 56.5 | 40 | 32 (±0.2) | 21 | 5  | 6.5 | Ø 16 (H9) | Ø 9 (H13)   |
| SGL 80 - 9184      | 93  | 72   | 50 | 36 (±0.2) | 22 | 5  | 10  | Ø 16 (H9) | Ø 11 (H13)  |
| SGL 80 CR - 83091  | 93  | 72   | 50 | 36 (±0.2) | 22 | 5  | 10  | Ø 16 (H9) | Ø 11 (H13)  |
| SGL 100 - 9168     | 110 | 89   | 60 | 41 (±0.2) | 27 | 5  | 10  | Ø 20 (H9) | Ø 11 (H13)  |
| SGL 100 CR - 83092 | 110 | 89   | 60 | 41 (±0.2) | 27 | 5  | 10  | Ø 20 (H9) | Ø 11 (H13)  |

| Designation       | D3         | R1 | R2  |
|-------------------|------------|----|-----|
| SGL 32 - 9176     | Ø 30 (H11) | 10 | 5.5 |
| SGL 32 CR - 69500 | Ø 30 (H11) | 10 | 5.5 |
| SGL 40 - 9178     | Ø 35 (H11) | 12 | 5.5 |

| Designation        | D3         | R1 | R2  |
|--------------------|------------|----|-----|
| SGL 40 CR - 69501  | Ø 35 (H11) | 12 | 5.5 |
| SGL 50 - 9180      | Ø 40 (H11) | 12 | 7.5 |
| SGL 50 CR - 69502  | Ø 40 (H11) | 12 | 7.5 |
| SGL 63 - 9182      | Ø 45 (H11) | 16 | 7.5 |
| SGL 63 CR - 69503  | Ø 45 (H11) | 16 | 7.5 |
| SGL 80 - 9184      | Ø 45 (H11) | 16 | 9   |
| SGL 80 CR - 83091  | Ø 45 (H11) | 16 | 9   |
| SGL 100 - 9168     | Ø 55 (H11) | 20 | 9   |
| SGL 100 CR - 83092 | Ø 55 (H11) | 20 | 9   |