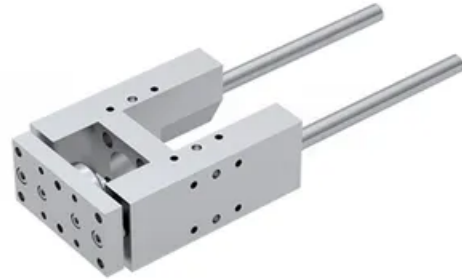


Guiding Unit GUH

* The moved mass of GUH is already considered in the equation for calculating the mass of GUH m_{GUH} .

Dimensions in mm.

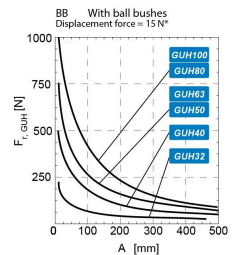
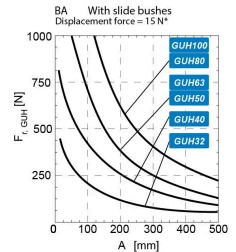
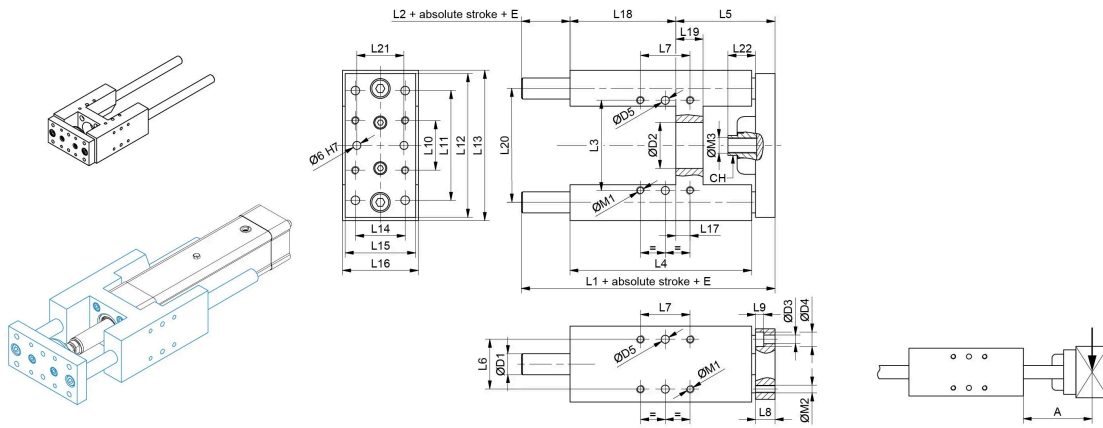
Material: Body in aluminium. Guides in steel.



General Data

Designation	Compatible with	Mass of GUH m _{GUH} (kg)	Moved Mass of GUH M _{m GUH} (kg)
GUH 32	PNCE 32	1.57 + 0.0017 × (Abs. stroke + E)	0.86 + 0.0017 × (Abs. stroke + E)
GUH 40	PNCE 40	2.48 + 0.0031 × (Abs. stroke + E)	1.32 + 0.0031 × (Abs. stroke + E)
GUH 50	PNCE 50	4.18 + 0.0047 × (Abs. stroke + E)	2.47 + 0.0047 × (Abs. stroke + E)
GUH 63	PNCE 63	5.54 + 0.0047 × (Abs. stroke + E)	2.90 + 0.0047 × (Abs. stroke + E)
GUH 80	PNCE 80	10.72 + 0.0070 × (Abs. stroke + E)	5.66 + 0.0070 × (Abs. stroke + E)
GUH 100	PNCE 100	13.42 + 0.0070 × (Abs. stroke + E)	6.42 + 0.0070 × (Abs. stroke + E)

Dimensions



Designation	L1	L2	L3	L4	L5	L6	L7	L8	L9
GUH 32	177	37	61	125	64	32.5	32.5	12	6.5
GUH 40	192	37	69	139	74	38	38	15	6.5
GUH 50	205	38	85	148	89	46.5	46.5	15	8.5
GUH 63	237	38	100	182	88	56.5	56.5	15	8.5
GUH 80	280	42	130	215	110	72	72	20	10.5
GUH 100	280	37	130	220	115	89	89	20	10.5

Designation	L10	L11	L12	L13	L14	L15	L16	L17	L18	L19
GUH 32	32.5	78	90	97	32.5	45	49	4.3	76	17
GUH 40	38	84	110	115	38	54	58	11	81	21
GUH 50	46.5	100	130	137	46.5	63	69	18.5	78	26
GUH 63	56.5	105	145	152	56.5	79	85	15.3	111	26
GUH 80	72	130	180	189	72	99	105	21	128	34
GUH 100	89	150	200	213	89	120	129	24.5	128	39

Designation	L20	L21	L22	D1	D2	D3	D4	D5	M1	M2
GUH 32	74	31	18	Ø 12	Ø 30	Ø 6.5	Ø 10.5	Ø 6 × 6 (H7)	Ø M6 × 12	Ø M6

Designation	L20	L21	L22	D1	D2	D3	D4	D5	M1	M2
GUH 40	87	36	21	Ø 16	Ø 35	Ø 6.5	Ø 10.5	Ø 6 × 10 (H7)	Ø M6 × 12	Ø M6
GUH 50	104	45	24	Ø 20	Ø 40	Ø 8.5	Ø 13.5	Ø 6 × 10 (H7)	Ø M8 × 16	Ø M8
GUH 63	119	45	24	Ø 20	Ø 45	Ø 8.5	Ø 13.5	Ø 6 × 10 (H7)	Ø M8 × 16	Ø M8
GUH 80	148	56	31	Ø 25	Ø 60	Ø 11	Ø 17	Ø 6 × 10 (H7)	Ø M10 × 18	Ø M10
GUH 100	172	56	31	Ø 25	Ø 70	Ø 11	Ø 17	Ø 6 × 10 (H7)	Ø M10 × 18	Ø M10

Designation	M3	CH
GUH 32	Ø M10 × 1.25	15
GUH 40	Ø M12 × 1.25	15
GUH 50	Ø M16 × 1.5	22
GUH 63	Ø M16 × 1.5	22
GUH 80	Ø M20 × 1.5	27
GUH 100	Ø M20 × 1.5	27