

## Couplings

Dimension in mm.

The maximum transmittable torque of the clamping hub depends on the bore diameter and is limited to the size of the PNCE.



**Max. transmittable and drive torque  $M_{p,c}$  [Nm] depending on bore diameter**

Designation	Ø4	Ø5	Ø8	Ø16	Ø19	Ø25	Ø30	Ø32	Ø35
EKL 5	1,5	2	8	-	-	-	-	-	-
EKL 10	-	4	12	32	-	-	-	-	-
EKL 20	-	-	20	35	45	60	-	-	-
EKL 60	-	-	-	50	80	100	110	120	-
EKL 150	-	-	-	-	120	160	180	200	220

**Max. transmittable and drive torque  $M_{p,c}$  [Nm] limited to PNCE size**

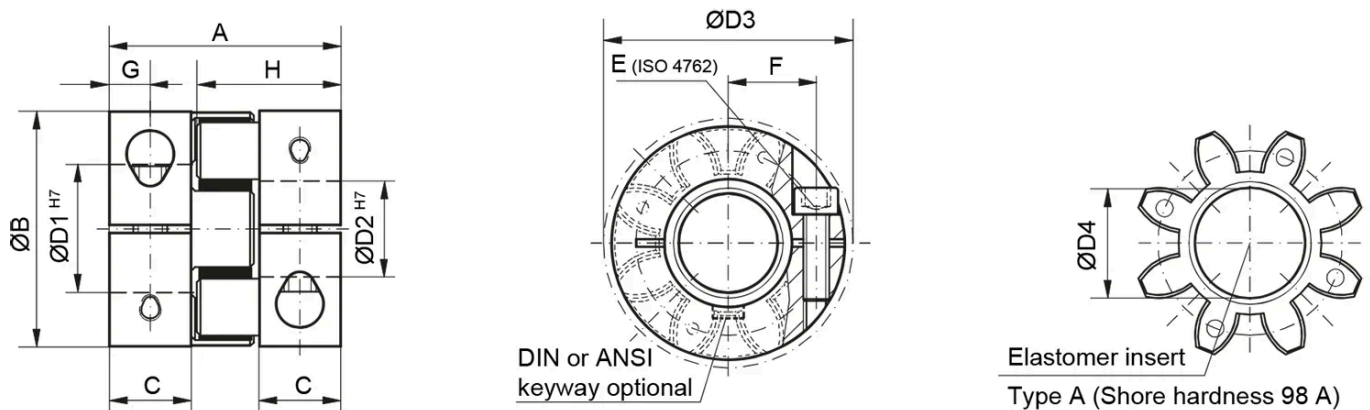
Designation	PNCE 32	PNCE 40	PNCE 50	PNCE 63	PNCE 80	PNCE 100
EKL 5	2,2	-	-	-	-	-
EKL 10	2,2	5,3	13,9	-	-	-
EKL 20	-	-	13,9	33,3	-	-
EKL 60	-	-	-	35,1	60,7	-
EKL 150	-	-	-	-	-	160

## General Data

Designation	Moment of inertia per hub ( $10^{-3} \text{ kg m}^2$ )	Speed standard ( $\text{min}^{-1}$ )	Max. Torque (Nm)	Rated Torque (Nm)	Tightening Torque of the Clamping Screw (Nm)
EKL 5	0.002	15000	18	9	2
EKL 10	0.003	13000	25	12.5	4
EKL 20	0.01	12500	34	17	8
EKL 60	0.04	11000	120	60	15
EKL 150	0.08	10000	320	160	35

Designation	Weight (kg)
EKL 5	≈ 0.02
EKL 10	≈ 0.05
EKL 20	≈ 0.12
EKL 60	≈ 0.3
EKL 150	≈ 0.5

## Dimensions



Designation	A	B	D1	D2	D3	D4	E	F	G
EKL 5	26	25	4	12.7	25	10.2	M3	8	4
EKL 10	32	32	4	16	32	14.2	M4	10.5	5
EKL 20	50	42	8	25	44.5	19.2	M5	15.5	8.5
EKL 60	58	56	12	32	57	26.2	M6	21	10

Designation	A	B	D1	D2	D3	D4	E	F	G
EKL 150	62	66.5	19	36	68	29.2	M8	24	11

Designation	C	H	Permissible bore diameters
EKL 5	8	16.7	4 / 5 / 8
EKL 10	10.3	20.7	5 / 8 / 16
EKL 20	17	31	8 / 16 / 19 / 25
EKL 60	20	36	16 / 19 / 25 / 30 / 32
EKL 150	21	39	19 / 25 / 30 / 32 / 35