

Magnetic field sensors

Magnetic field sensors can be mounted by using the slot for the magnetic field sensor placed on the sides of the MCE/MSCE profile.

For the MCE/MSCE size of 25, mounting of the magnetic field sensor requires an HMG sensor holder.

Protection Class: IP67

Ambient Temperature (°C): -10 ~ +70

Cable material length: PUR, 150 mm

Current consumption: 6 mA @ 24 V DC max.

Electrical connection: M8, 3-pin

Extension cable: Energy chain compliant

Function principle: Magnetic

LED indicator: Green

Max. Leakage Current (mA): 0.01

Max. Power Rating (W): 6

Max. Switching Current (mA): 200

Operating Voltage (V DC): 5 ~ 30

Sensor Type: PNP current sourcing

Shock/vibration: 50 G / 9 G

Switching Frequency (Hz): 1000

Switching function: NC or NO

Voltage drop: 0.5 V @ 200 mA max.

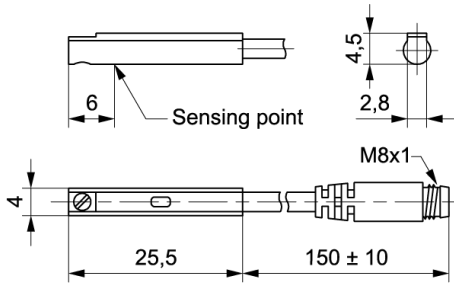
Wiring method: 3-wire type



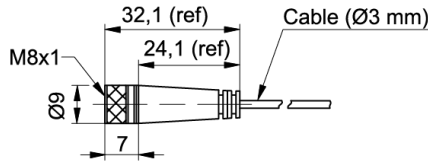


General Data

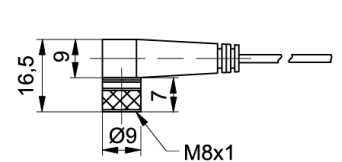
SMO-40TP-K



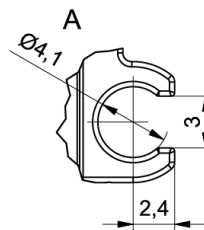
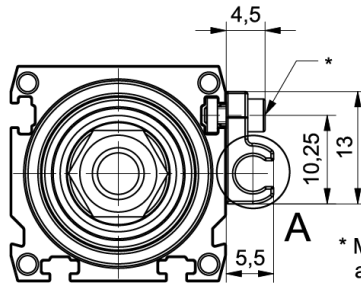
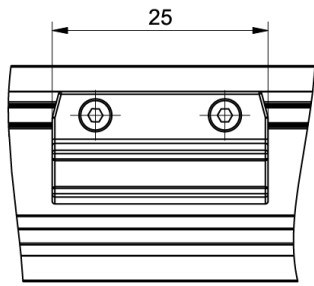
Straight connector



Angled connector



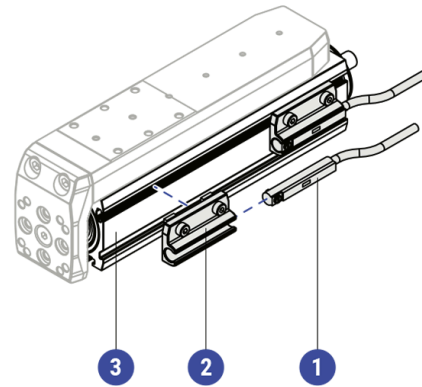
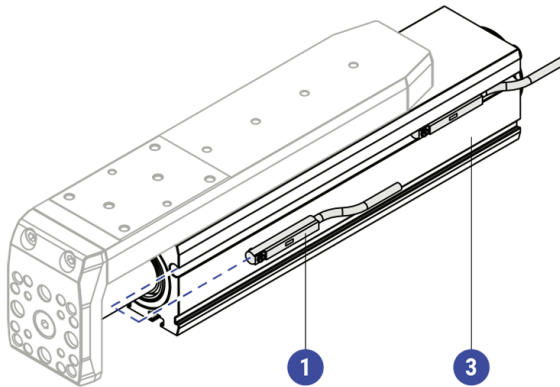
Sensor holder HMG 25



* Mounting screws and nuts (2x)

MCE/MSCE 32, 45

MCE/MSCE 25



- 1 - Magnetic field sensor.
- 2 - Sensor holder HMG.
- 3 - Profile of the mini electric cylinder MCE or slider MSCE.

| Designation | Description | Compatible with | Type | Material | Cable Length (m) |
|------------------------|-------------------|-----------------|-----------------|--------------------------|------------------|
| SMO-40TP-K NC - 109125 | NC-normally close | MCE/MSCE series | Magnetic sensor | - | - |
| SMO-40TP-K NO - 12259 | NO-normally open | MCE/MSCE series | Magnetic sensor | - | - |
| HMG 25 - 109101 | - | MCE/MSCE 25 | Sensor holder | Powder coated zinc alloy | - |

| Designation | Description | Compatible with | Type | Material | Cable Length (m) |
|---------------------|-------------|-------------------------------|------------------------------------|----------|------------------|
| Cable - 8146 | - | SMO-40TP-K NC / SMO-40TP-K NO | Straight connector extension cable | - | 2 |
| Cable - 8147 | - | SMO-40TP-K NC / SMO-40TP-K NO | Straight connector extension cable | - | 5 |
| Cable - 9017 | - | SMO-40TP-K NC / SMO-40TP-K NO | Angled connector extension cable | - | 2 |
| Cable - 9019 | - | SMO-40TP-K NC / SMO-40TP-K NO | Angled connector extension cable | - | 5 |