

PSE 34 - Shaft 14 mm hollow

- Positioning system with 100 W power output
- For vertical applications with integrated brake (optional)
- Absolute measuring system
- Position control for direct connection to a control module
- Space-saving, compact design
- Galvanically separated supply voltages between control and motor and bus
- Durable EC-motor
- Extremely accurate positioning due to measurement of the position at the output side
- Bus interfaces simplify start-up and wiring complexity
- Address may be set using the bus or an address switch (not for IO-Link)
- Baud rate set via switch
- Status messages retrievable via bus
- Partial safety function for STO (Safe Torque Off)



Dimensions in mm.

Type: Horizontal

Nominal Torque (Nm): 10; 18

Nominal Speed (rpm): 60; 80

Nominal Voltage (V DC): 24 ($\pm 10\%$)

Nominal Current (A): 7.8

Output Shaft (mm): 14

Output Shaft Type: Hollow

BUS Communication: Can Open (CA); Profi Bus (DP); Device Net (DN); Modbus (MB); IO-Link (IO); ProfiNet (PN); Sercos (SE); EtherCat (EC); Ethernet IP (EI); PowerLink (PL)

Electrical connection: "Standard; with jog keys; 1 connector Y-encoded or 1 connector Y-encoded with jog keys"

Protection Class: IP65

Motor: EC-motor

Supply Voltage: 24 V DC $\pm 10\%$ galvanically separated between control and motor and bus

Measurement System: Absolute, optical-magnetic

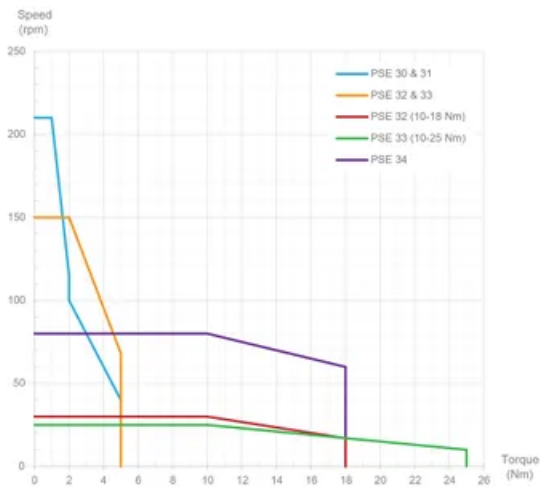
Accuracy: $\pm 0.9^\circ$

Intermittence: 20% (basis time 300 s)

Manual Adjustment: Standard

Brake: Optional (friction brake)

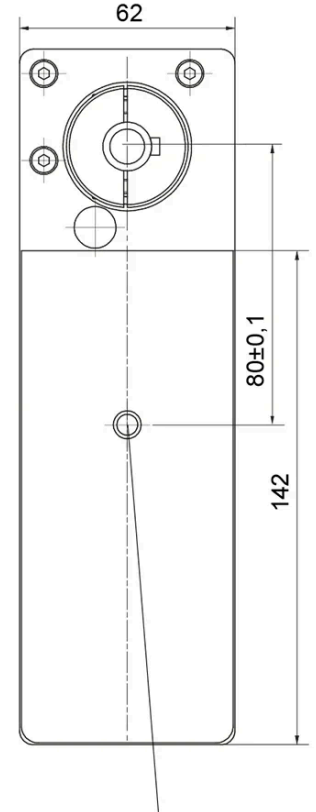
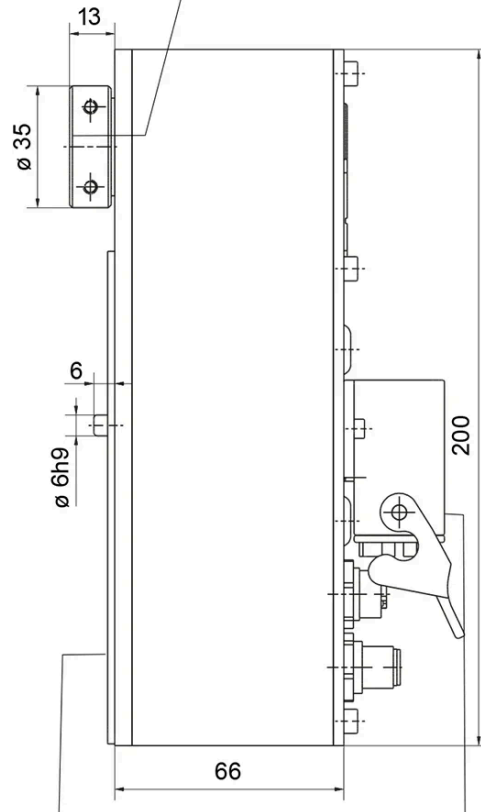
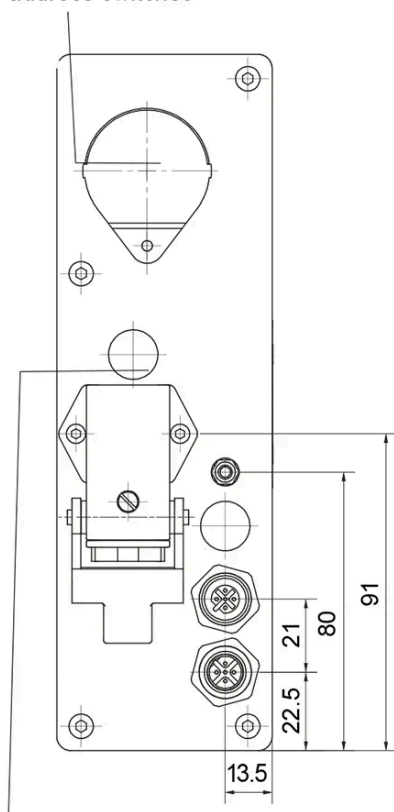
Performance Curve - Direct Drives PSE



General Data

removeable sight glass
for LED status /
address switches

hollow shaft
ø 14H7 / 20 depth



cover, manual
adjustment beneath

sealing plate
2 mm thick

mounting housing
Harting Han 3A-agw
for supply

torque support

Designation	Nominal Torque (Nm)	Nominal Speed (rpm)	Nominal Current (A)	Self-holding Torque (Nm)	Positioning Range (rot.)
PSE 3410-14	10	80	7.8	5	250

Designation	Nominal Torque (Nm)	Nominal Speed (rpm)	Nominal Current (A)	Self-holding Torque (Nm)	Positioning Range (rot.)
PSE 3418-14	18	60	7.8	9	250