

SN 63

Variants below are standard configurations. Other configurations and customer-specific adaptations are available upon request. Please contact us for more information.

Fixing holes (C) for socket cap screws according to DIN 7984. Alternative fixing with Torx® screws in special design with low head (on request).

Easyslide is available in three different versions:

Version 1 - SINGLE SLIDER

This linear bearing consists of a guide rail and a slider that runs within the ball cage in the guide rail. High load capacities, compact cross-sections and simple and easy mounting characterize the complete series.

Below we list only the standard lengths and strokes of Version 1. Special strokes and lengths on request.

Version 2 - MULTIPLE INDEPENDENT SLIDERS

Variant with several sliders, which each runs in its own ball cage, independent of each other in the guide rail. Can be configured and used in an almost infinite variety of ways. The most common is to make a symmetrical configuration. Contact Rollco for further advice.

Version 3 - MULTIPLE SYNCHRONIZED SLIDERS

Several sliders run in a common ball cage within the guide rails. The division of the inner slider in two parts have a positive influence on load capacity and running behavior under high M_z and M_y loads.

Contact Rollco for detailed advice and calculations.

Dimensions in mm.

Weight: Rail 6.1 kg/m, slider 6,9 kg/m





Version 1 - SINGLE SLIDER

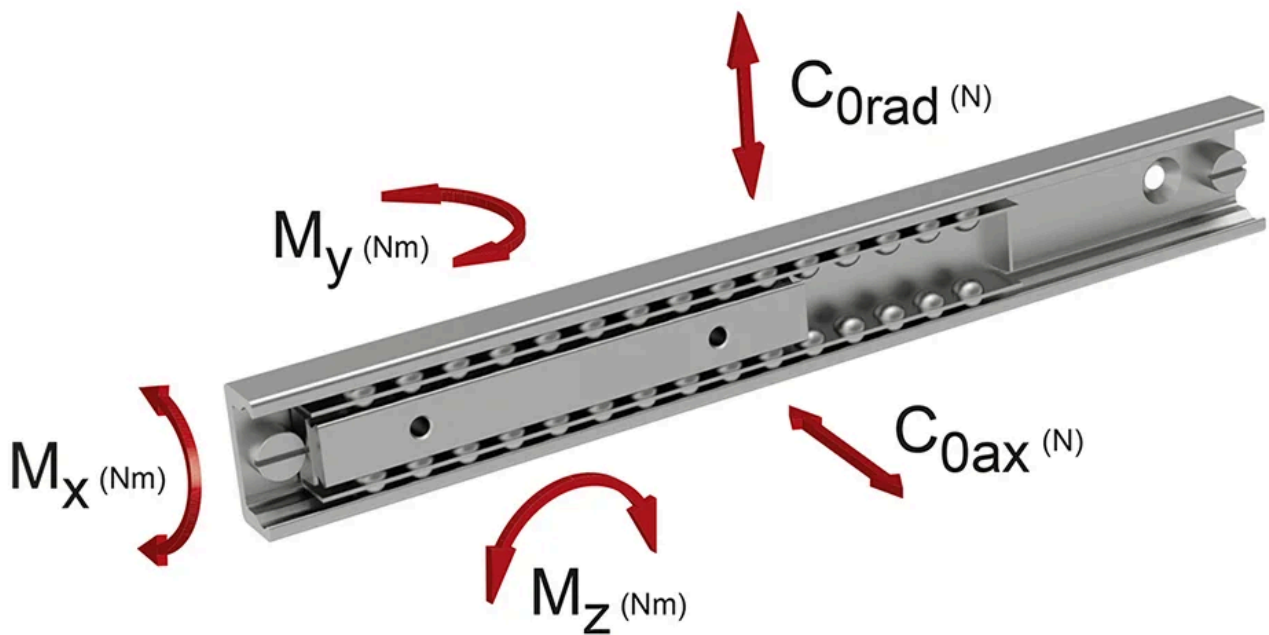


Version 2 - MULTIPLE INDEPENDENT SLIDERS



Version 3 - MULTIPLE SYNCHRONIZED SLIDERS

General Data

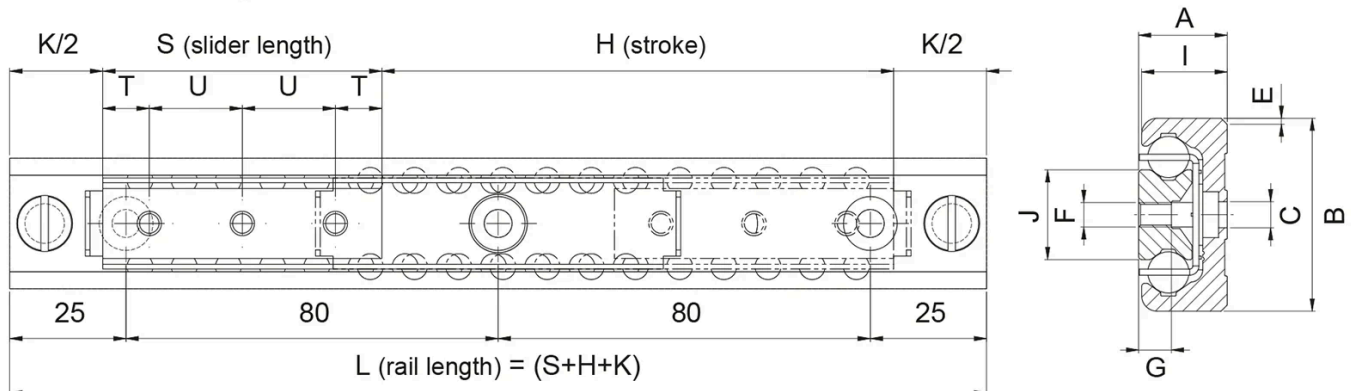


| Designation | System Load Capacity Radial (N) | System Load Capacity Axial (N) | Permissible Moment Mx (Nm) | Permissible Moment My (Nm) | Permissible Moment Mz (Nm) |
|--------------------|---------------------------------|--------------------------------|----------------------------|----------------------------|----------------------------|
| SN63-130-400-610 | 26000 | 18200 | 238 | 394 | 563 |
| SN63-130-480-690 | 26000 | 18200 | 238 | 394 | 563 |
| SN63-130-560-770 | 26000 | 18200 | 238 | 394 | 563 |
| SN63-130-640-850 | 26000 | 18200 | 238 | 394 | 563 |
| SN63-130-720-930 | 26000 | 18200 | 238 | 394 | 563 |
| SN63-130-800-1010 | 26000 | 18200 | 238 | 394 | 563 |
| SN63-210-320-610 | 42000 | 29400 | 385.8 | 1029 | 1470 |
| SN63-210-400-690 | 42000 | 29400 | 385.8 | 1029 | 1470 |
| SN63-210-480-770 | 42000 | 29400 | 385.8 | 1029 | 1470 |
| SN63-210-560-850 | 42000 | 29400 | 385.8 | 1029 | 1470 |
| SN63-210-640-930 | 42000 | 29400 | 385.8 | 1029 | 1470 |
| SN63-210-720-1010 | 42000 | 29400 | 385.8 | 1029 | 1470 |
| SN63-210-880-1170 | 42000 | 29400 | 385.8 | 1029 | 1470 |
| SN63-210-1040-1330 | 42000 | 29400 | 385.8 | 1029 | 1470 |
| SN63-210-1200-1490 | 42000 | 29400 | 385.8 | 1029 | 1470 |
| SN63-210-1360-1650 | 42000 | 29400 | 385.8 | 1029 | 1470 |

| Designation | System Load Capacity Radial (N) | System Load Capacity Axial (N) | Permissible Moment Mx (Nm) | Permissible Moment My (Nm) | Permissible Moment Mz (Nm) |
|--------------------|---------------------------------|--------------------------------|----------------------------|----------------------------|----------------------------|
| SN63-290-240-610 | 58000 | 40600 | 532.8 | 1962 | 2803 |
| SN63-290-320-690 | 58000 | 40600 | 532.8 | 1962 | 2803 |
| SN63-290-400-770 | 58000 | 40600 | 532.8 | 1962 | 2803 |
| SN63-290-480-850 | 58000 | 40600 | 532.8 | 1962 | 2803 |
| SN63-290-560-930 | 58000 | 40600 | 532.8 | 1962 | 2803 |
| SN63-290-640-1010 | 58000 | 40600 | 532.8 | 1962 | 2803 |
| SN63-290-800-1170 | 58000 | 40600 | 532.8 | 1962 | 2803 |
| SN63-290-960-1330 | 58000 | 40600 | 532.8 | 1962 | 2803 |
| SN63-290-1120-1490 | 58000 | 40600 | 532.8 | 1962 | 2803 |
| SN63-290-1280-1650 | 58000 | 40600 | 532.8 | 1962 | 2803 |
| SN63-370-320-770 | 74000 | 51800 | 679.8 | 3194 | 4563 |
| SN63-370-400-850 | 74000 | 51800 | 679.8 | 3194 | 4563 |
| SN63-370-480-930 | 74000 | 51800 | 679.8 | 3194 | 4563 |
| SN63-370-560-1010 | 74000 | 51800 | 679.8 | 3194 | 4563 |
| SN63-370-720-1170 | 74000 | 51800 | 679.8 | 3194 | 4563 |
| SN63-370-880-1330 | 74000 | 51800 | 679.8 | 3194 | 4563 |
| SN63-370-1040-1490 | 74000 | 51800 | 679.8 | 3194 | 4563 |
| SN63-370-1200-1650 | 74000 | 51800 | 679.8 | 3194 | 4563 |
| SN63-370-1360-1810 | 74000 | 51800 | 679.8 | 3194 | 4563 |
| SN63-450-400-930 | 90000 | 63000 | 826.7 | 4725 | 6750 |
| SN63-450-480-1010 | 90000 | 63000 | 826.7 | 4725 | 6750 |
| SN63-450-640-1170 | 90000 | 63000 | 826.7 | 4725 | 6750 |
| SN63-450-800-1330 | 90000 | 63000 | 826.7 | 4725 | 6750 |
| SN63-450-960-1490 | 90000 | 63000 | 826.7 | 4725 | 6750 |
| SN63-450-1120-1650 | 90000 | 63000 | 826.7 | 4725 | 6750 |
| SN63-450-1280-1810 | 90000 | 63000 | 826.7 | 4725 | 6750 |
| SN63-450-560-1170 | 90000 | 63000 | 826.7 | 4725 | 6750 |
| SN63-530-560-1170 | 106000 | 74200 | 973.7 | 6554 | 9363 |
| SN63-530-720-1330 | 106000 | 74200 | 973.7 | 6554 | 9363 |
| SN63-530-880-1490 | 106000 | 74200 | 973.7 | 6554 | 9363 |
| SN63-530-1040-1650 | 106000 | 74200 | 973.7 | 6554 | 9363 |
| SN63-530-1200-1810 | 106000 | 74200 | 973.7 | 6554 | 9363 |
| SN63-530-1360-1970 | 106000 | 74200 | 973.7 | 6554 | 9363 |
| SN63-610-640-1330 | 122000 | 85400 | 1120.7 | 8682 | 12403 |
| SN63-610-800-1490 | 122000 | 85400 | 1120.7 | 8682 | 12403 |
| SN63-610-960-1650 | 122000 | 85400 | 1120.7 | 8682 | 12403 |
| SN63-610-1120-1810 | 122000 | 85400 | 1120.7 | 8682 | 12403 |
| SN63-610-1280-1970 | 122000 | 85400 | 1120.7 | 8682 | 12403 |
| SN63-V2 | Depends on config. | N/A | N/A | N/A | N/A |
| SN63-V3 | Depends on config. | N/A | N/A | N/A | N/A |

Dimensions

Version 1, with single slider



To ensure that all fixing holes of the rail are accessible, S must be $< L/2 - K$.
To ensure proper smooth movement it is necessary that $H \leq 7S$.

| Designation | L | H | A | B | S | Number of Fixing Holes | C | E | F |
|--------------------|------|------|----|----|-----|------------------------|----|------|----|
| SN63-130-400-610 | 610 | 400 | 29 | 63 | 130 | 2 | M8 | 2x45 | M8 |
| SN63-130-480-690 | 690 | 480 | 29 | 63 | 130 | 2 | M8 | 2x45 | M8 |
| SN63-130-560-770 | 770 | 560 | 29 | 63 | 130 | 2 | M8 | 2x45 | M8 |
| SN63-130-640-850 | 850 | 640 | 29 | 63 | 130 | 2 | M8 | 2x45 | M8 |
| SN63-130-720-930 | 930 | 720 | 29 | 63 | 130 | 2 | M8 | 2x45 | M8 |
| SN63-130-800-1010 | 1010 | 800 | 29 | 63 | 130 | 2 | M8 | 2x45 | M8 |
| SN63-210-320-610 | 610 | 320 | 29 | 63 | 210 | 3 | M8 | 2x45 | M8 |
| SN63-210-400-690 | 690 | 400 | 29 | 63 | 210 | 3 | M8 | 2x45 | M8 |
| SN63-210-480-770 | 770 | 480 | 29 | 63 | 210 | 3 | M8 | 2x45 | M8 |
| SN63-210-560-850 | 850 | 560 | 29 | 63 | 210 | 3 | M8 | 2x45 | M8 |
| SN63-210-640-930 | 930 | 640 | 29 | 63 | 210 | 3 | M8 | 2x45 | M8 |
| SN63-210-720-1010 | 1010 | 720 | 29 | 63 | 210 | 3 | M8 | 2x45 | M8 |
| SN63-210-880-1170 | 1170 | 880 | 29 | 63 | 210 | 3 | M8 | 2x45 | M8 |
| SN63-210-1040-1330 | 1330 | 1040 | 29 | 63 | 210 | 3 | M8 | 2x45 | M8 |
| SN63-210-1200-1490 | 1490 | 1200 | 29 | 63 | 210 | 3 | M8 | 2x45 | M8 |
| SN63-210-1360-1650 | 1650 | 1360 | 29 | 63 | 210 | 3 | M8 | 2x45 | M8 |
| SN63-290-240-610 | 610 | 240 | 29 | 63 | 290 | 4 | M8 | 2x45 | M8 |
| SN63-290-320-690 | 690 | 320 | 29 | 63 | 290 | 4 | M8 | 2x45 | M8 |
| SN63-290-400-770 | 770 | 400 | 29 | 63 | 290 | 4 | M8 | 2x45 | M8 |
| SN63-290-480-850 | 850 | 480 | 29 | 63 | 290 | 4 | M8 | 2x45 | M8 |
| SN63-290-560-930 | 930 | 560 | 29 | 63 | 290 | 4 | M8 | 2x45 | M8 |
| SN63-290-640-1010 | 1010 | 640 | 29 | 63 | 290 | 4 | M8 | 2x45 | M8 |
| SN63-290-800-1170 | 1170 | 800 | 29 | 63 | 290 | 4 | M8 | 2x45 | M8 |
| SN63-290-960-1330 | 1330 | 960 | 29 | 63 | 290 | 4 | M8 | 2x45 | M8 |
| SN63-290-1120-1490 | 1490 | 1120 | 29 | 63 | 290 | 4 | M8 | 2x45 | M8 |
| SN63-290-1280-1650 | 1650 | 1280 | 29 | 63 | 290 | 4 | M8 | 2x45 | M8 |
| SN63-370-320-770 | 770 | 320 | 29 | 63 | 370 | 5 | M8 | 2x45 | M8 |
| SN63-370-400-850 | 850 | 400 | 29 | 63 | 370 | 5 | M8 | 2x45 | M8 |
| SN63-370-480-930 | 930 | 480 | 29 | 63 | 370 | 5 | M8 | 2x45 | M8 |
| SN63-370-560-1010 | 1010 | 560 | 29 | 63 | 370 | 5 | M8 | 2x45 | M8 |

| Designation | L | H | A | B | S | Number of Fixing Holes | C | E | F |
|--------------------|--------------------|------|----|----|-----|------------------------|----|------|----|
| SN63-370-720-1170 | 1170 | 720 | 29 | 63 | 370 | 5 | M8 | 2x45 | M8 |
| SN63-370-880-1330 | 1330 | 880 | 29 | 63 | 370 | 5 | M8 | 2x45 | M8 |
| SN63-370-1040-1490 | 1490 | 1040 | 29 | 63 | 370 | 5 | M8 | 2x45 | M8 |
| SN63-370-1200-1650 | 1650 | 1200 | 29 | 63 | 370 | 5 | M8 | 2x45 | M8 |
| SN63-370-1360-1810 | 1810 | 1360 | 29 | 63 | 370 | 5 | M8 | 2x45 | M8 |
| SN63-450-400-930 | 930 | 400 | 29 | 63 | 450 | 6 | M8 | 2x45 | M8 |
| SN63-450-480-1010 | 1010 | 480 | 29 | 63 | 450 | 6 | M8 | 2x45 | M8 |
| SN63-450-640-1170 | 1170 | 640 | 29 | 63 | 450 | 6 | M8 | 2x45 | M8 |
| SN63-450-800-1330 | 1330 | 800 | 29 | 63 | 450 | 6 | M8 | 2x45 | M8 |
| SN63-450-960-1490 | 1490 | 960 | 29 | 63 | 450 | 6 | M8 | 2x45 | M8 |
| SN63-450-1120-1650 | 1650 | 1120 | 29 | 63 | 450 | 6 | M8 | 2x45 | M8 |
| SN63-450-1280-1810 | 1810 | 1280 | 29 | 63 | 450 | 6 | M8 | 2x45 | M8 |
| SN63-450-560-1170 | 1170 | 560 | 29 | 63 | 450 | 6 | M8 | 2x45 | M8 |
| SN63-530-560-1170 | 1170 | 560 | 29 | 63 | 530 | 7 | M8 | 2x45 | M8 |
| SN63-530-720-1330 | 1330 | 720 | 29 | 63 | 530 | 7 | M8 | 2x45 | M8 |
| SN63-530-880-1490 | 1490 | 880 | 29 | 63 | 530 | 7 | M8 | 2x45 | M8 |
| SN63-530-1040-1650 | 1650 | 1040 | 29 | 63 | 530 | 7 | M8 | 2x45 | M8 |
| SN63-530-1200-1810 | 1810 | 1200 | 29 | 63 | 530 | 7 | M8 | 2x45 | M8 |
| SN63-530-1360-1970 | 1970 | 1360 | 29 | 63 | 530 | 7 | M8 | 2x45 | M8 |
| SN63-610-640-1330 | 1330 | 640 | 29 | 63 | 610 | 8 | M8 | 2x45 | M8 |
| SN63-610-800-1490 | 1490 | 800 | 29 | 63 | 610 | 8 | M8 | 2x45 | M8 |
| SN63-610-960-1650 | 1650 | 960 | 29 | 63 | 610 | 8 | M8 | 2x45 | M8 |
| SN63-610-1120-1810 | 1810 | 1120 | 29 | 63 | 610 | 8 | M8 | 2x45 | M8 |
| SN63-610-1280-1970 | 1970 | 1280 | 29 | 63 | 610 | 8 | M8 | 2x45 | M8 |
| SN63-V2 | Depends on config. | N/A | 29 | 63 | N/A | N/A | M8 | 2x45 | M8 |
| SN63-V3 | Depends on config. | N/A | 29 | 63 | N/A | N/A | M8 | 2x45 | M8 |

| Designation | G | I | J | K | T | U |
|--------------------|------|----|------|----|----|----|
| SN63-130-400-610 | 10.5 | 28 | 29.3 | 80 | 25 | 80 |
| SN63-130-480-690 | 10.5 | 28 | 29.3 | 80 | 25 | 80 |
| SN63-130-560-770 | 10.5 | 28 | 29.3 | 80 | 25 | 80 |
| SN63-130-640-850 | 10.5 | 28 | 29.3 | 80 | 25 | 80 |
| SN63-130-720-930 | 10.5 | 28 | 29.3 | 80 | 25 | 80 |
| SN63-130-800-1010 | 10.5 | 28 | 29.3 | 80 | 25 | 80 |
| SN63-210-320-610 | 10.5 | 28 | 29.3 | 80 | 25 | 80 |
| SN63-210-400-690 | 10.5 | 28 | 29.3 | 80 | 25 | 80 |
| SN63-210-480-770 | 10.5 | 28 | 29.3 | 80 | 25 | 80 |
| SN63-210-560-850 | 10.5 | 28 | 29.3 | 80 | 25 | 80 |
| SN63-210-640-930 | 10.5 | 28 | 29.3 | 80 | 25 | 80 |
| SN63-210-720-1010 | 10.5 | 28 | 29.3 | 80 | 25 | 80 |
| SN63-210-880-1170 | 10.5 | 28 | 29.3 | 80 | 25 | 80 |
| SN63-210-1040-1330 | 10.5 | 28 | 29.3 | 80 | 25 | 80 |
| SN63-210-1200-1490 | 10.5 | 28 | 29.3 | 80 | 25 | 80 |
| SN63-210-1360-1650 | 10.5 | 28 | 29.3 | 80 | 25 | 80 |
| SN63-290-240-610 | 10.5 | 28 | 29.3 | 80 | 25 | 80 |

| Designation | G | I | J | K | T | U |
|--------------------|------|----|------|----|----|----|
| SN63-290-320-690 | 10.5 | 28 | 29.3 | 80 | 25 | 80 |
| SN63-290-400-770 | 10.5 | 28 | 29.3 | 80 | 25 | 80 |
| SN63-290-480-850 | 10.5 | 28 | 29.3 | 80 | 25 | 80 |
| SN63-290-560-930 | 10.5 | 28 | 29.3 | 80 | 25 | 80 |
| SN63-290-640-1010 | 10.5 | 28 | 29.3 | 80 | 25 | 80 |
| SN63-290-800-1170 | 10.5 | 28 | 29.3 | 80 | 25 | 80 |
| SN63-290-960-1330 | 10.5 | 28 | 29.3 | 80 | 25 | 80 |
| SN63-290-1120-1490 | 10.5 | 28 | 29.3 | 80 | 25 | 80 |
| SN63-290-1280-1650 | 10.5 | 28 | 29.3 | 80 | 25 | 80 |
| SN63-370-320-770 | 10.5 | 28 | 29.3 | 80 | 25 | 80 |
| SN63-370-400-850 | 10.5 | 28 | 29.3 | 80 | 25 | 80 |
| SN63-370-480-930 | 10.5 | 28 | 29.3 | 80 | 25 | 80 |
| SN63-370-560-1010 | 10.5 | 28 | 29.3 | 80 | 25 | 80 |
| SN63-370-720-1170 | 10.5 | 28 | 29.3 | 80 | 25 | 80 |
| SN63-370-880-1330 | 10.5 | 28 | 29.3 | 80 | 25 | 80 |
| SN63-370-1040-1490 | 10.5 | 28 | 29.3 | 80 | 25 | 80 |
| SN63-370-1200-1650 | 10.5 | 28 | 29.3 | 80 | 25 | 80 |
| SN63-370-1360-1810 | 10.5 | 28 | 29.3 | 80 | 25 | 80 |
| SN63-450-400-930 | 10.5 | 28 | 29.3 | 80 | 25 | 80 |
| SN63-450-480-1010 | 10.5 | 28 | 29.3 | 80 | 25 | 80 |
| SN63-450-640-1170 | 10.5 | 28 | 29.3 | 80 | 25 | 80 |
| SN63-450-800-1330 | 10.5 | 28 | 29.3 | 80 | 25 | 80 |
| SN63-450-960-1490 | 10.5 | 28 | 29.3 | 80 | 25 | 80 |
| SN63-450-1120-1650 | 10.5 | 28 | 29.3 | 80 | 25 | 80 |
| SN63-450-1280-1810 | 10.5 | 28 | 29.3 | 80 | 25 | 80 |
| SN63-450-560-1170 | 10.5 | 28 | 29.3 | 80 | 25 | 80 |
| SN63-530-560-1170 | 10.5 | 28 | 29.3 | 80 | 25 | 80 |
| SN63-530-720-1330 | 10.5 | 28 | 29.3 | 80 | 25 | 80 |
| SN63-530-880-1490 | 10.5 | 28 | 29.3 | 80 | 25 | 80 |
| SN63-530-1040-1650 | 10.5 | 28 | 29.3 | 80 | 25 | 80 |
| SN63-530-1200-1810 | 10.5 | 28 | 29.3 | 80 | 25 | 80 |
| SN63-530-1360-1970 | 10.5 | 28 | 29.3 | 80 | 25 | 80 |
| SN63-610-640-1330 | 10.5 | 28 | 29.3 | 80 | 25 | 80 |
| SN63-610-800-1490 | 10.5 | 28 | 29.3 | 80 | 25 | 80 |
| SN63-610-960-1650 | 10.5 | 28 | 29.3 | 80 | 25 | 80 |
| SN63-610-1120-1810 | 10.5 | 28 | 29.3 | 80 | 25 | 80 |
| SN63-610-1280-1970 | 10.5 | 28 | 29.3 | 80 | 25 | 80 |
| SN63-V2 | 10.5 | 28 | 29.3 | 80 | 25 | 80 |
| SN63-V3 | 10.5 | 28 | 29.3 | 80 | 25 | 80 |