

## 3080 - 100% Extension

All dimensions in mm.

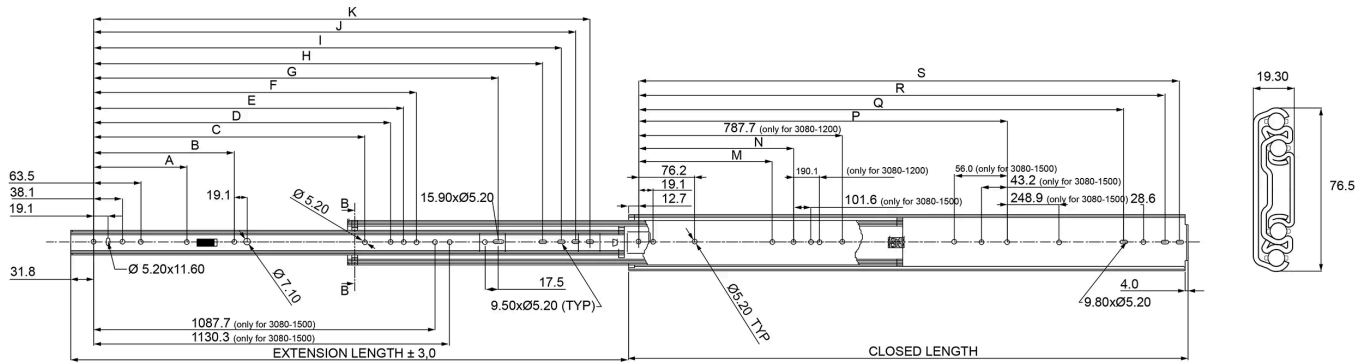
System Load Capacity value refers to a pair of rails.

**Material:** Cold-drawn steel profile, zinc plated

**Extension:** 100%

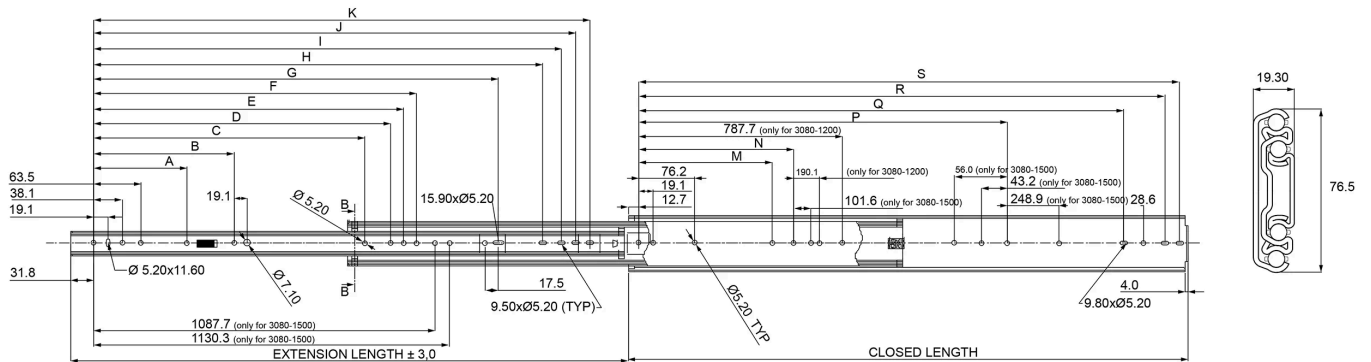


### General Data



| Designation | Closed Length | Extension Length | System Load Capacity (N) | Weight/pc (kg) |
|-------------|---------------|------------------|--------------------------|----------------|
| 3080-300    | 304           | 304              | 1780                     | 1.5            |
| 3080-400    | 406           | 406              | 1780                     | 2.02           |
| 3080-500    | 508           | 508              | 1780                     | 2.54           |
| 3080-600    | 609           | 609              | 1690                     | 3.04           |
| 3080-700    | 711           | 711              | 1600                     | 3.65           |
| 3080-800    | 812           | 812              | 1510                     | 4.15           |
| 3080-900    | 914           | 914              | 1420                     | 4.68           |
| 3080-1000   | 1016          | 1016             | 1330                     | 5.2            |
| 3080-1100   | 1117          | 1117             | 1240                     | 5.73           |
| 3080-1200   | 1219          | 1219             | 1150                     | 6.25           |
| 3080-1300   | 1320          | 1320             | 1060                     | 6.85           |
| 3080-1400   | 1422          | 1422             | 1020                     | 7.3            |
| 3080-1500   | 1524          | 1524             | 890                      | 7.8            |

### Dimensions



| Designation | A   | B     | C | D | E | F | G     | H     | I     |
|-------------|-----|-------|---|---|---|---|-------|-------|-------|
| 3080-300    | -   | -     | - | - | - | - | -     | 154   | 179.4 |
| 3080-400    | 127 | -     | - | - | - | - | -     | 255.6 | 281   |
| 3080-500    | 127 | 190.5 | - | - | - | - | 296.9 | 357.2 | 382.6 |

| Designation | A   | B     | C     | D     | E     | F     | G      | H      | I      |
|-------------|-----|-------|-------|-------|-------|-------|--------|--------|--------|
| 3080-600    | 127 | 190.5 | -     | -     | -     | -     | 398.5  | 458.8  | 484.2  |
| 3080-700    | 127 | 190.5 | -     | -     | -     | -     | 500.1  | 560.4  | 585.8  |
| 3080-800    | 127 | 190.5 | 368.3 | -     | -     | -     | 601.7  | 662    | 687.4  |
| 3080-900    | 127 | 190.5 | 368.3 | 520.7 | -     | -     | 703.3  | 763.6  | 789    |
| 3080-1000   | 127 | 190.5 | 368.3 | 622.3 | -     | -     | 804.9  | 865.2  | 890.6  |
| 3080-1100   | 127 | 190.5 | 368.3 | 723.9 | -     | 825.5 | 906.5  | 966.8  | 992.2  |
| 3080-1200   | 127 | 190.5 | 368.3 | 723.9 | 763.7 | 825.5 | 1004.7 | 1068.4 | 1093.8 |
| 3080-1300   | 127 | 190.5 | 368.3 | 774.7 | -     | 825.5 | 1109.7 | 1170   | 1195.4 |
| 3080-1400   | 127 | 190.5 | 368.3 | 774.7 | -     | 825.5 | 1211.3 | 1271.6 | 1297   |
| 3080-1500   | 127 | 190.5 | 368.3 | 622.3 | 774.7 | 825.5 | 1309.5 | 1373.2 | 1398.6 |

| Designation | J      | K      | M     | N     | P      | Q      | R      | S      |
|-------------|--------|--------|-------|-------|--------|--------|--------|--------|
| 3080-300    | 198.4  | 217.4  | -     | -     | -      | 203.2  | 260.4  | 279.4  |
| 3080-400    | 299.9  | 319    | -     | -     | -      | 304.8  | 361.9  | 381    |
| 3080-500    | 401.6  | 420.6  | -     | -     | -      | 406.4  | 463.6  | 482.6  |
| 3080-600    | 503.2  | 522.2  | -     | -     | -      | 508    | 565.2  | 584.2  |
| 3080-700    | 604.8  | 623.8  | -     | -     | -      | 609.6  | 666.8  | 685.8  |
| 3080-800    | 706.4  | 725.4  | 234.9 | 393.7 | 552.5  | 711.2  | 768.4  | 787.4  |
| 3080-900    | 807.9  | 827    | 234.9 | 444.5 | 654.1  | 812.8  | 870    | 889    |
| 3080-1000   | 909.6  | 928.6  | 234.9 | 495.3 | 755.7  | 914.4  | 971.6  | 990.8  |
| 3080-1100   | 1011.2 | 1030.2 | 234.9 | 546.1 | 857.3  | 1016   | 1073.2 | 1092.2 |
| 3080-1200   | 1112.8 | 1131.8 | 234.9 | 406.8 | 958.8  | 1117.6 | 1174.8 | 1193.8 |
| 3080-1300   | 1214.4 | 1233.4 | 234.9 | 596.9 | 958.8  | 1219.2 | 1276.4 | 1295.4 |
| 3080-1400   | 1316   | 1335   | 234.9 | 596.9 | 958.8  | 1320.8 | 1378   | 1397   |
| 3080-1500   | 1417.6 | 1436.6 | 234.9 | 495.3 | 1014.8 | 1422.4 | 1479.6 | 1498.6 |