

## 3560 - 100% Extension

All dimensions in mm.

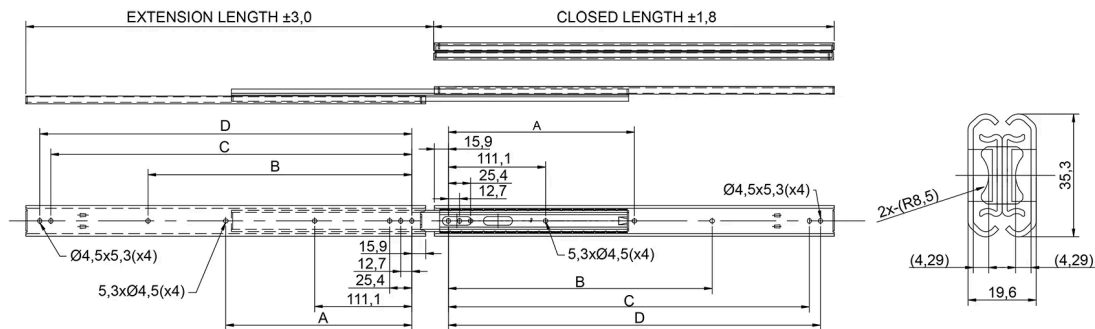
System Load Capacity value refers to a pair of rails.

**Material:** Slide members and component parts - stainless SUS304. Balls - SUS304.

**Extension:** 100%

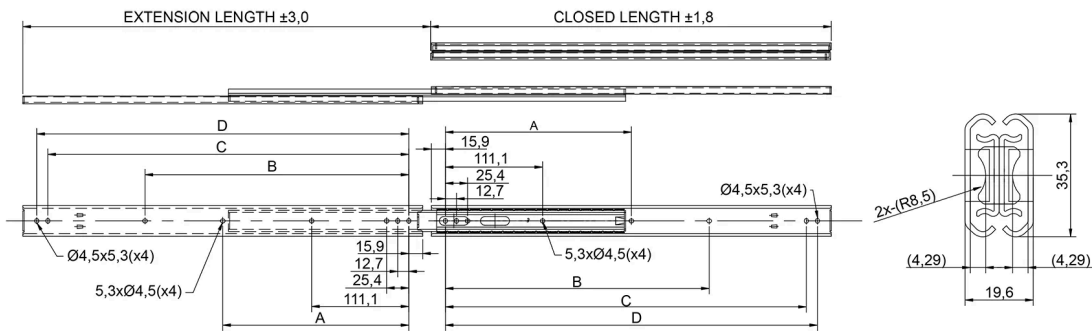


## General Data



Designation	Closed Length	Extension Length	System Load Capacity (N)	Weight/pc (kg)
3560-250	254	264	600	0.5
3560-300	304.8	314.8	600	0.61
3560-350	355.6	365.6	600	0.72
3560-400	406.4	416.4	600	0.83
3560-450	457.2	467.2	600	0.93
3560-500	508	518	600	1.04
3560-550	558.8	568.8	500	1.15
3560-600	609.6	619.6	450	1.24
3560-650	660.4	670.4	400	1.35
3560-700	711.2	721.2	320	1.43

## Dimensions



Designation	A	B	C	D
<b>3560-250</b>	-	-	209.5	222.2
<b>3560-300</b>	-	149.2	260.3	273.0
<b>3560-350</b>	-	200.0	311.1	323.8
<b>3560-400</b>	-	250.8	361.9	374.6
<b>3560-450</b>	212.7	301.6	412.7	425.4
<b>3560-500</b>	238.1	352.4	463.5	476.2
<b>3560-550</b>	263.5	403.2	514.3	527.0
<b>3560-600</b>	288.9	454.0	565.1	577.8
<b>3560-650</b>	314.3	504.8	615.9	628.6
<b>3560-700</b>	339.7	555.6	666.7	679.4