

BF40EIK

Belt conveyor with end drive and knife edge in-feed. The product has a wide range of standard belts.

General load capacity for the BF40-family reaches up to 75 kg. Some combinations may give significantly less capacity, normally limited either by the available power or the belt traction capacity.

Dimension in mm.

For dimensions outside our standard range, please contact Rollco.

Use our CAD configurator to design your Belt conveyor according to your preferences and get a visual view, download data sheet and CAD files.

Declaration of incorporation of partly completed machinery according to Directive 2006/42/EC Annex II 1B.

Length (mm): Up to 4000

Gear ratio (I): 5 / 7.5 / 10 / 15 / 20 / 25 / 30 / 40 / 50

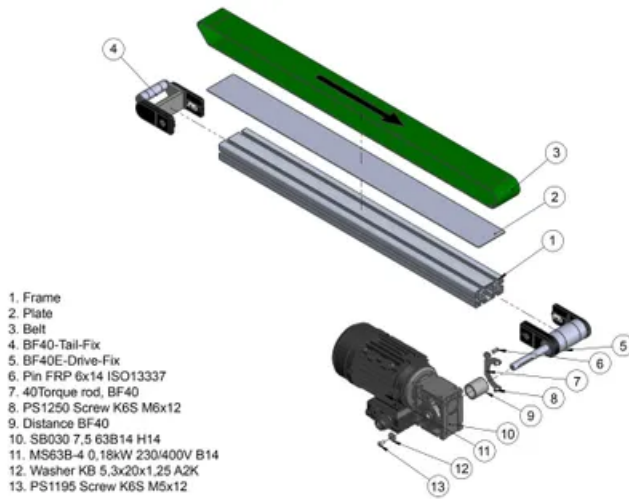
Speed (m/min): 37 (37.3) / 25 (24.9) / 19 (18.7) / 12 (12.4) / 9 (9.4) / 8 (7.5) / 6 (6.2) / 5 (4.7) / 4 (3.7)

Drive side: Right/left

Motor Position: Horizontal/vertical — 1-4

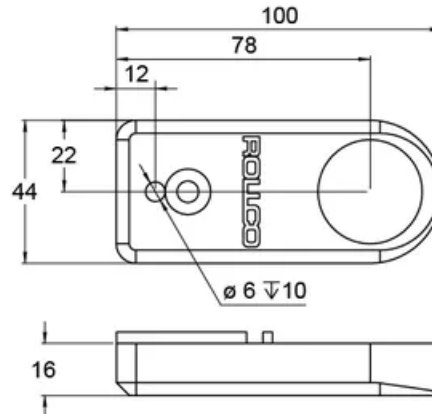


BF40EIK



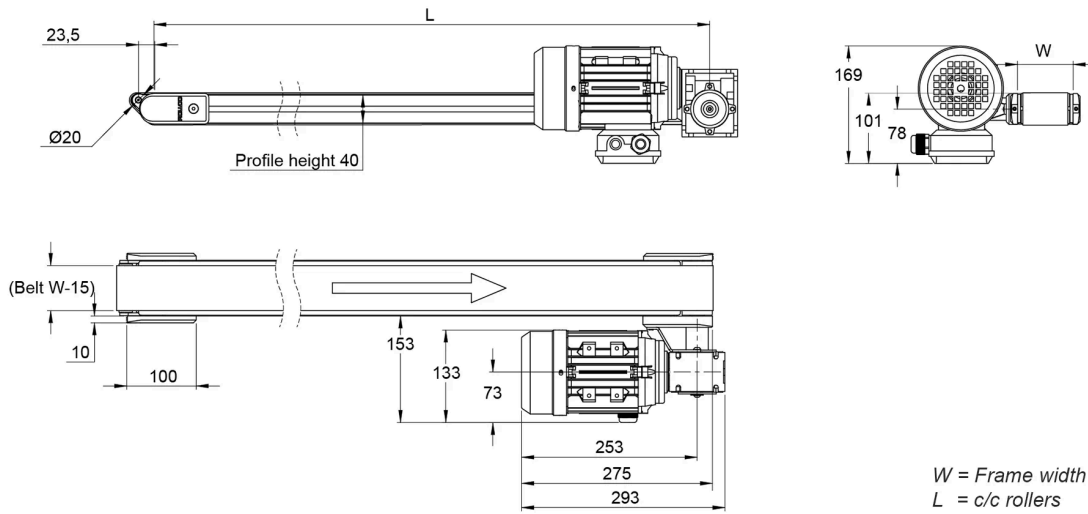
1. Frame
2. Plate
3. Belt
4. BF40-Tail-Fix
5. BF40E-Drive-Fix
6. Pin FRP 6x14 ISO13337
7. 40Torque rod, BF40
8. PS1250 Screw K6S M6x12
9. Distance BF40
10. SB030 7,5 63B14 H14
11. MS63B-4 0,18kW 230/400V B14
12. Washer KB 5,3x20x1,25 A2K
13. PS1195 Screw K6S M5x12

BF40E Drive holder



Gear ratio (I)	Speed (m/min)
5	37 (37,3)
7,5	25 (24,9)
10	19 (18,7)
15	12 (12,4)
20	9 (9,4)
25	8 (7,5)
30	6 (6,2)
40	5 (4,7)
50	4 (3,7)

General Data



W = Frame width
L = c/c rollers

Designation	Width (mm)
BF40EIK - 40	40
BF40EIK - 80	80
BF40EIK - 120	120
BF40EIK - 160	160
BF40EIK - 200	200
BF40EIK - 250	250
BF40EIK - 300	300
BF40EIK - 350	350
BF40EIK - 400	400