

Adjustable Levelling Foot

Compact levelling knuckle foot that mounts on aluminium profiles.

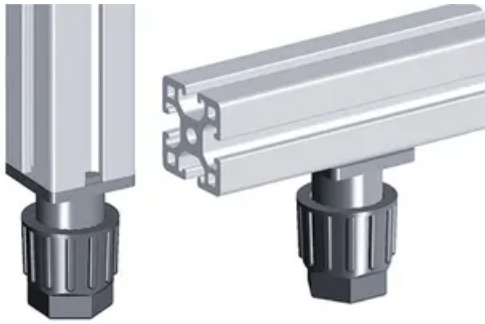
Material: Housing: Plastic (PA), fibreglass-reinforced

Mechanism: Galvanised steel. Carrying capacity: 150 kg

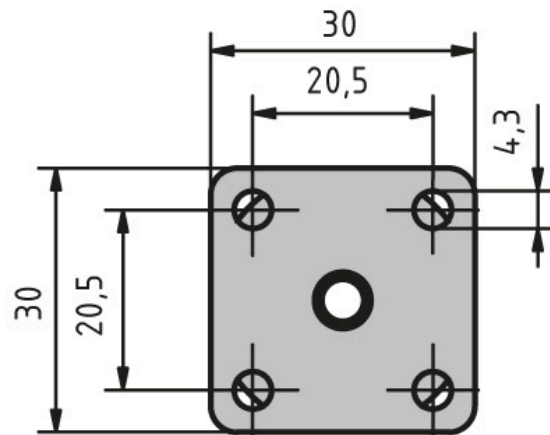
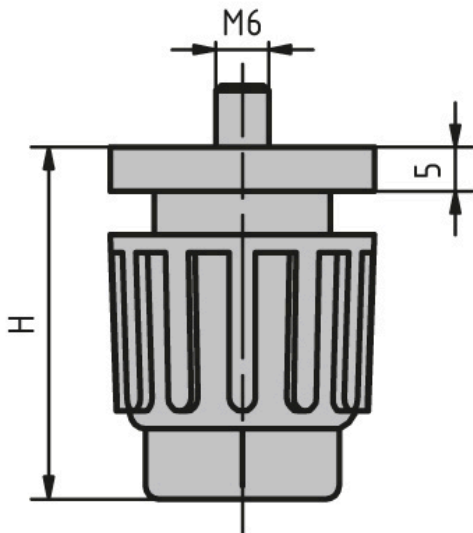
System: 30 - Slot 6; 20 - Slot 5

Type: Feet





General Data



Designation	Description	Thread	H	Hole Spacing	Profile
PZ5109	Adjustable levelling foot	M6	35-50	20.5	30