

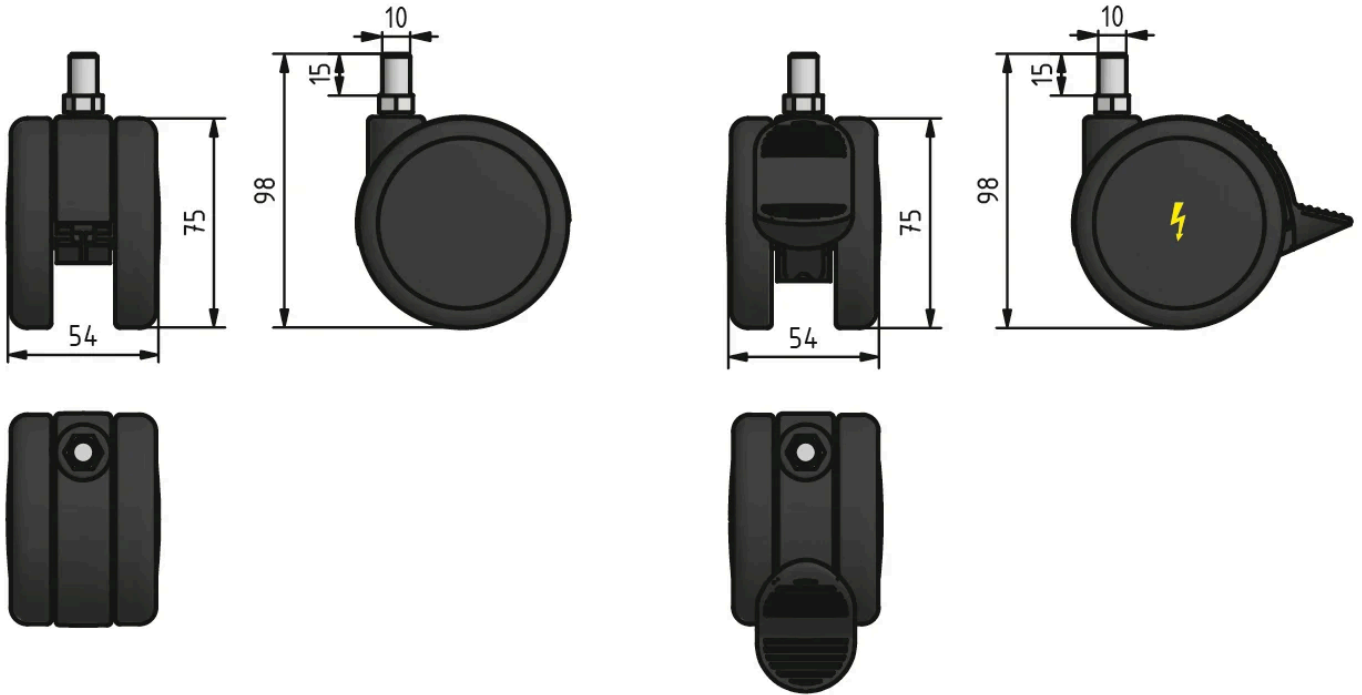
Plastic Double Castor

Double castor that carries up to 75 kg.
Optional: ESD-ready and locking variant.
Base plates allow installation in the core pulling.
Colour: Black
Wheel with thermoplastic polyurethane tread
Bearing: Friction bearing

System: 20 - Slot 5; 30 - Slot 6; 40 - Slot 8
Type: Castors



General Data



Designation	Description	D	ESD	F (N)	Wheel Width
RA5105	Plastic double castor	75	-	750	2 × 15
RA5106	Plastic double castor	75	Yes	750	2 × 15
RA5107	Plastic double castor with wheel stopper	75	-	750	2 × 15
RA5108	Plastic double castor with wheel stopper	75	Yes	750	2 × 15