

Corner Angle 30

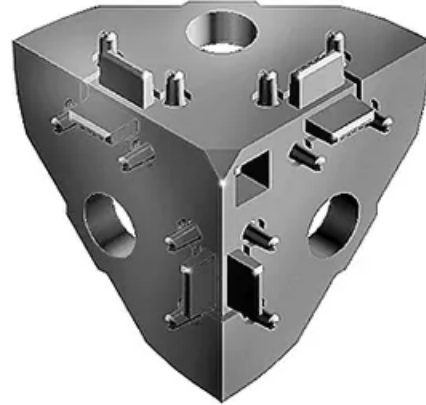
Right-angled links between up to three square or semi-circular profiles of the same cross section. Square or round caps for protection against injury and dirt.

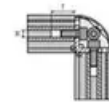
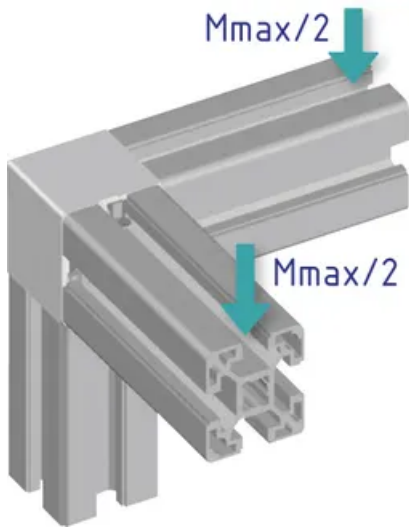
Material: Corner angle: Uncoated die-cast zinc
Caps: plastic (PA).

Note: The caps in the sets are not ESD-ready.

System: 30 - Slot 6

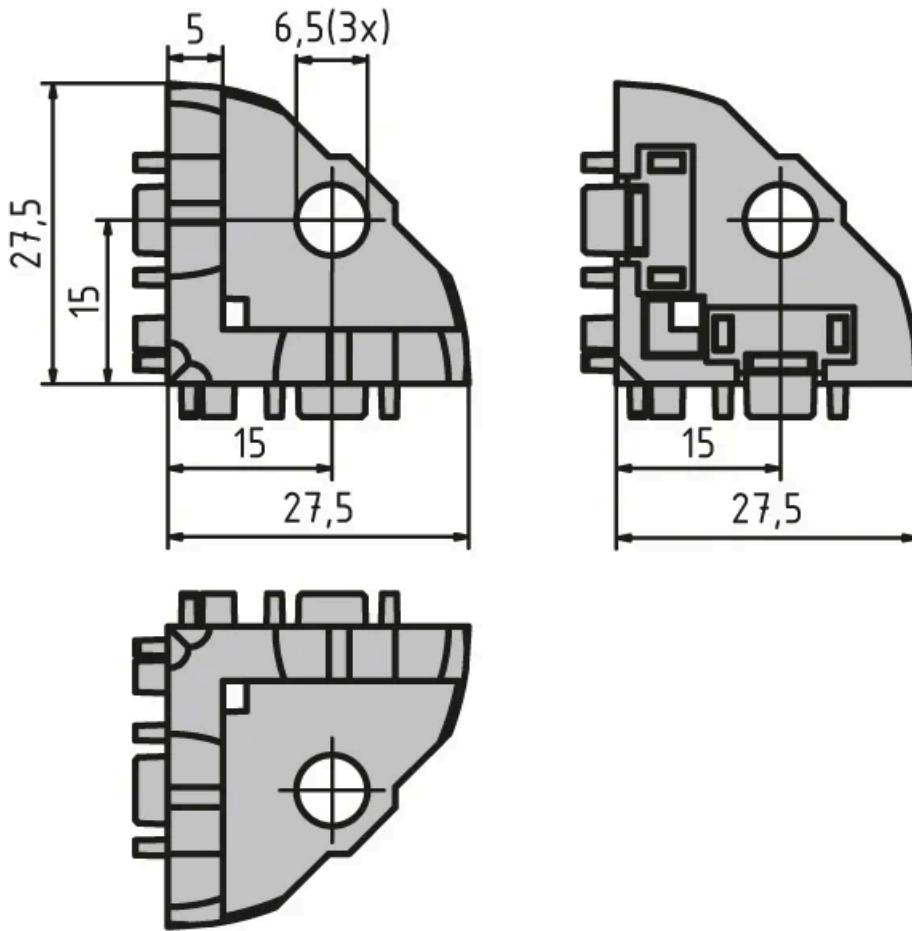
Type: Angles Brackets and Corners; Fasteners





| Mechining of corner angles | 5 | 6 |
|----------------------------|-------|-------|
| Thread (M) | M5 | M5 |
| Depth (T) | 25 mm | 25 mm |

General Data



| Designation | Description | System | F (Nm) | ESD |
|-------------|---|-------------|--------|-----|
| PZ5017 | Corner angle 30 including 3 M6 × 16 screws (ISO 7380) | 30 - Slot 6 | 40 | Yes |
| PV1076 | Corner angle 30 including 3 M6 × 16 screws (ISO 7380) and square black cap | 30 - Slot 6 | 40 | Yes |
| PZ5018 | Corner angle 30 including 3 M6 × 16 screws (ISO 7380) and square grey cap (RAL7004) | 30 - Slot 6 | 40 | Yes |
| PZ5298 | Corner angle 30 including 3 M6 × 16 screws (ISO 7380) and round black cap | 30 - Slot 6 | 40 | Yes |
| PA1208 | Round black cap | 30 - Slot 6 | - | - |
| PA1209 | Square black cap | 30 - Slot 6 | - | - |
| PA1210 | Square grey cap (RAL7004) | 30 - Slot 6 | - | - |