

## Clamping Bracket

Simple and reliable link between intersecting profiles.

Bracket with clamping lever for variable use.

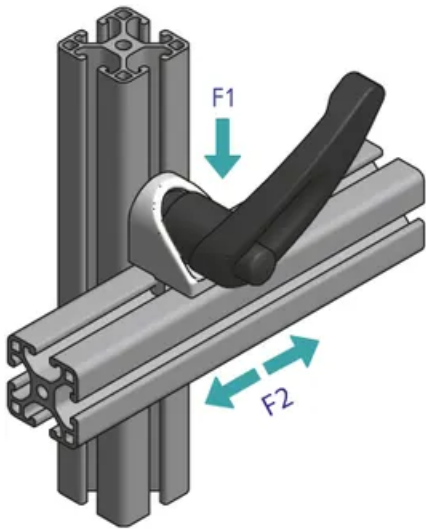
Sets to any angle.

Material: Aluminium coloured die-cast zinc

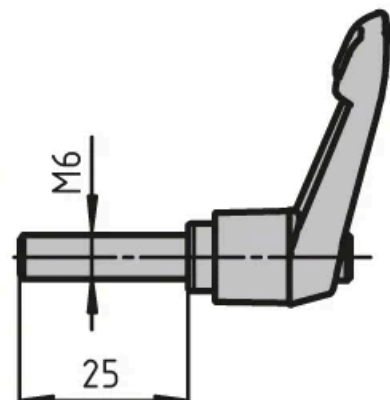
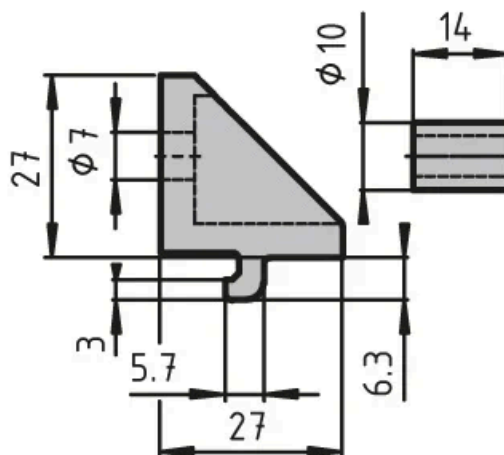
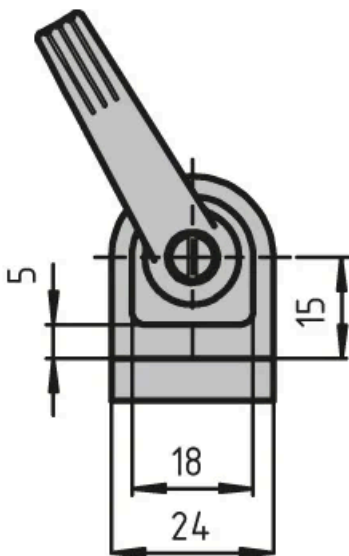
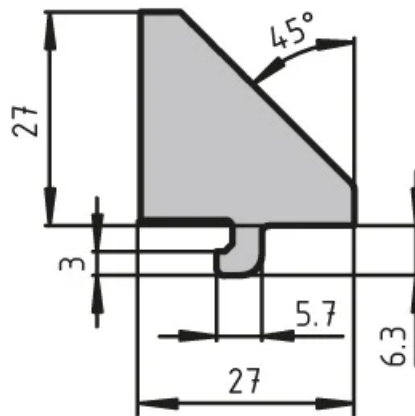
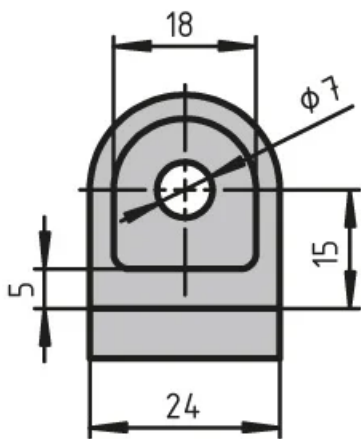
**System:** 30 - Slot 6

**Type:** Angles Brackets and Corners; Fasteners





**General Data**



Designation	Description	System	F1 (N)	F2 (N)
PZ3090	Clamping bracket 30	30 - Slot 6	800	200

Designation	Description	System	F1 (N)	F2 (N)
<b>PZ3095</b>	Clamping bracket 30 with clamping lever	30 - Slot 6	600	100