

Mini Plastic Hinge 20

On-site mount: by M5 × 10 countersunk screw and M5 slot
5 slot nut

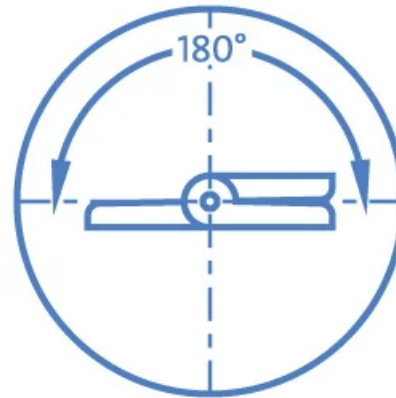
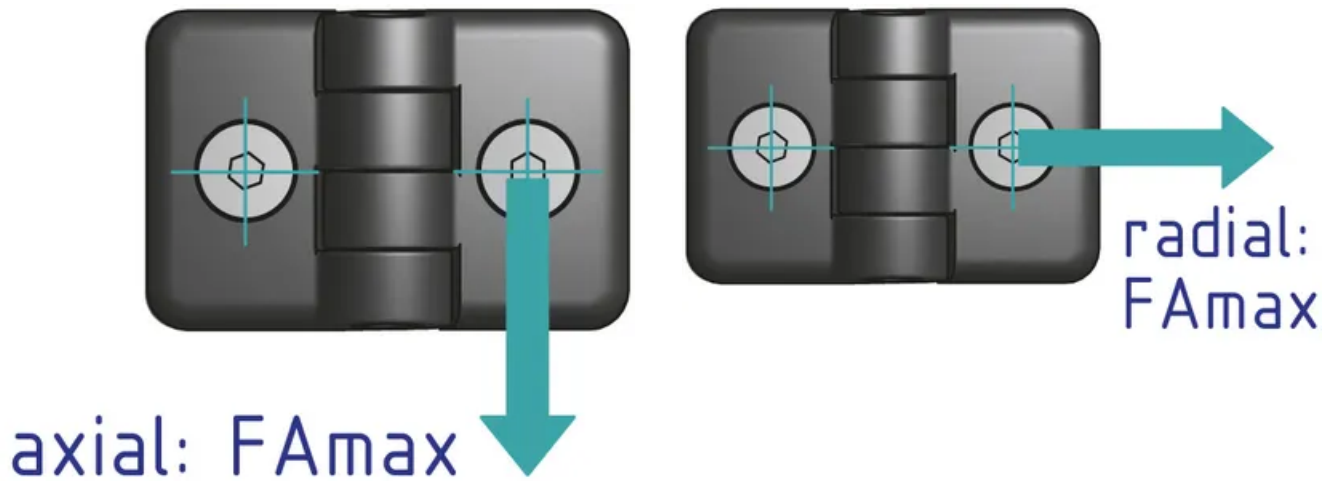
Material: Wing: Plastic (PA), fibreglass-reinforced

Pin: Stainless steel

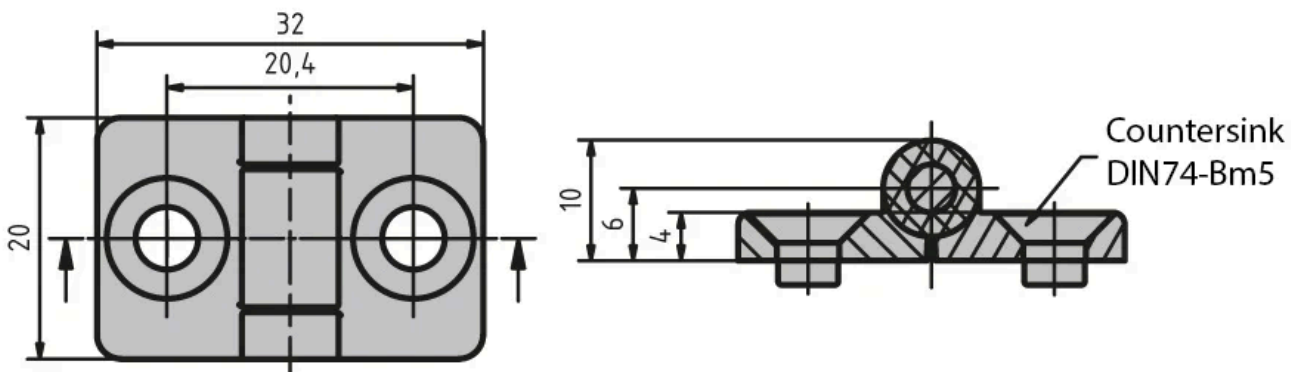
System: 20 - Slot 5

Type: Hinges





General Data



Designation	System	F_{max} (N)	F_{Rmax} (N)
PZ4080	20 - Slot 5	240	300