

## Inside Hinge Element

For surface elements and aluminium profiles.

Lets you create your own combination of inside hinges.

To build a complete hinge: 2 x wing; 1 x pin, 2 x cap

Material: Wing = Anodised aluminium; Pin = Stainless steel

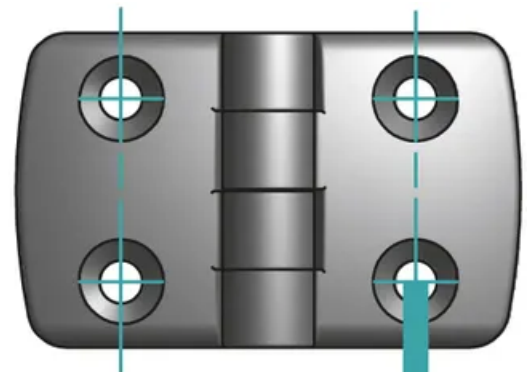
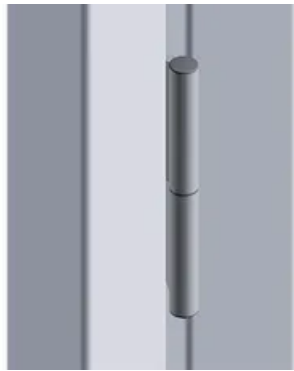
On-site mount: by M6 × 10 – M6 × 16 countersunk screw,  
slot 6 M6.

Mounting instruction: ESD-ready only if using notched slot  
nuts.

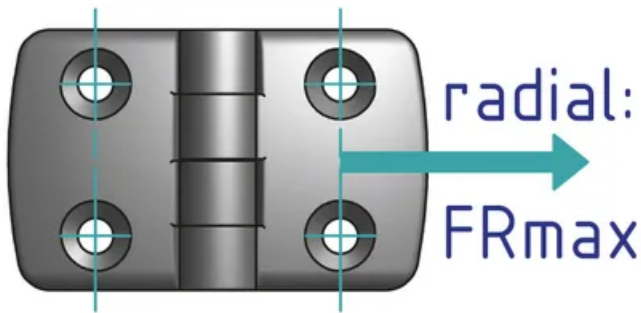
**System:** 30 - Slot 6; 20 - Slot 5

**Type:** Hinges



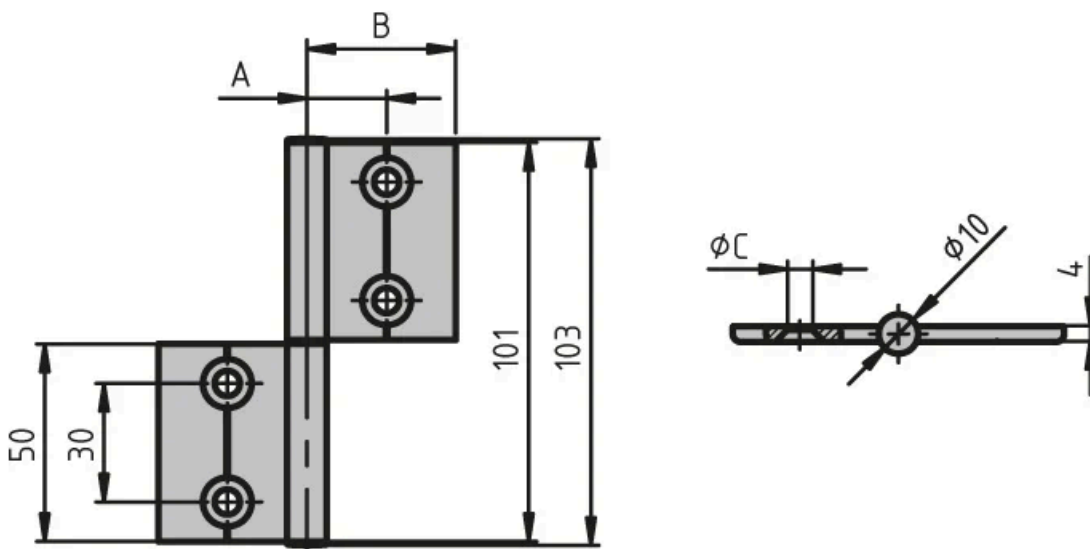


axial:  $F_{Amax}$



radial:  
 $F_{Rmax}$

### General Data



Designation	Description	Material	A	B	C
PZ5315	Internal Hinge Set, Slot 5	Anodised aluminium	14.5	22	5.3
PZ5316	Internal Hinge Set, Slot 6	Anodised aluminium	19.5	32	6.4

Designation	ESD	$F_{Amax}$ (N)	$F_{Rmax}$ (N)	Wing
PZ5315	Yes	150	100	20

Designation	ESD	FMax (N)	FRmax (N)	Wing
<b>PZ5316</b>	Yes	150	100	30