

Motors for BF80

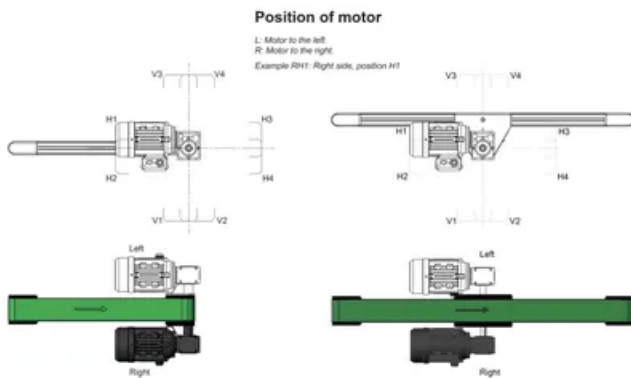
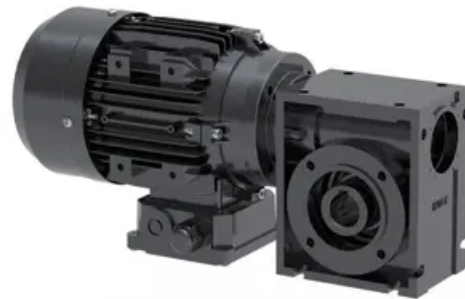
This is a selection of standard motors available for our BF80 series.

We can customise the drive shaft to accommodate many different motors and gear choices. Please contact Rollco for more information.

Dimensions in mm.

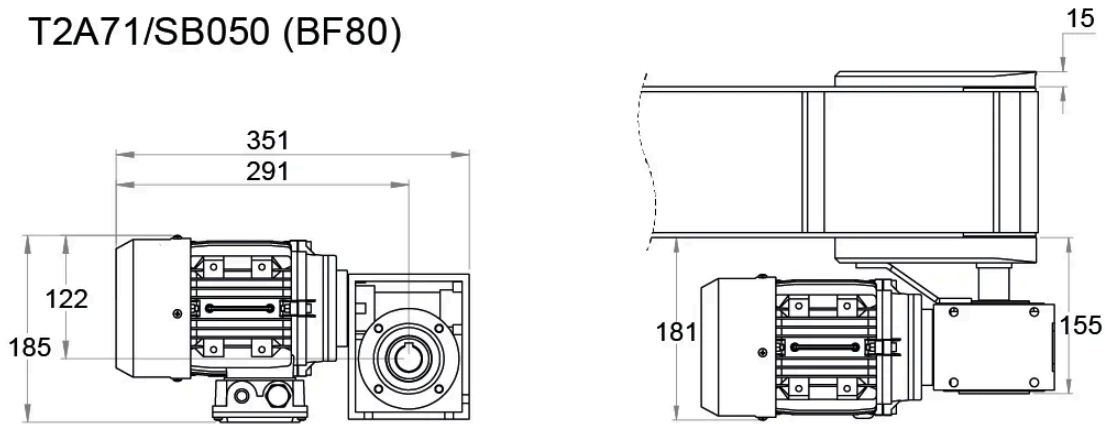
NOTE!

Other motors and frequency converters are available on request. Individual motors are not tested. Motors and gears are not assembled to the unit.



General Data

T2A71/SB050 (BF80)



| Designation | Voltage (V) | Power (kW) | Speed (rpm) | Protection Class |
|-------------|-------------|------------|-------------|------------------|
| T2A71A-4 | 230/400 | 0.25 | 1400 | IP55 |
| T2A71B-4 | 230/400 | 0.37 | 1400 | IP55 |
| T2A71C-4 | 230/400 | 0.55 | 1395 | IP55 |