

Compact Double Door Lock

Easily and reliably locks doors and flaps. Installs without mechanical means; secured against disassembly when closed.

Selective access by using a single post.

With separate slot fasteners for slot 8 and slot 10

Material: Die-cast aluminium

Surface: Black powder coated

Mount: By M6 cheese head or fillister head screw at the front



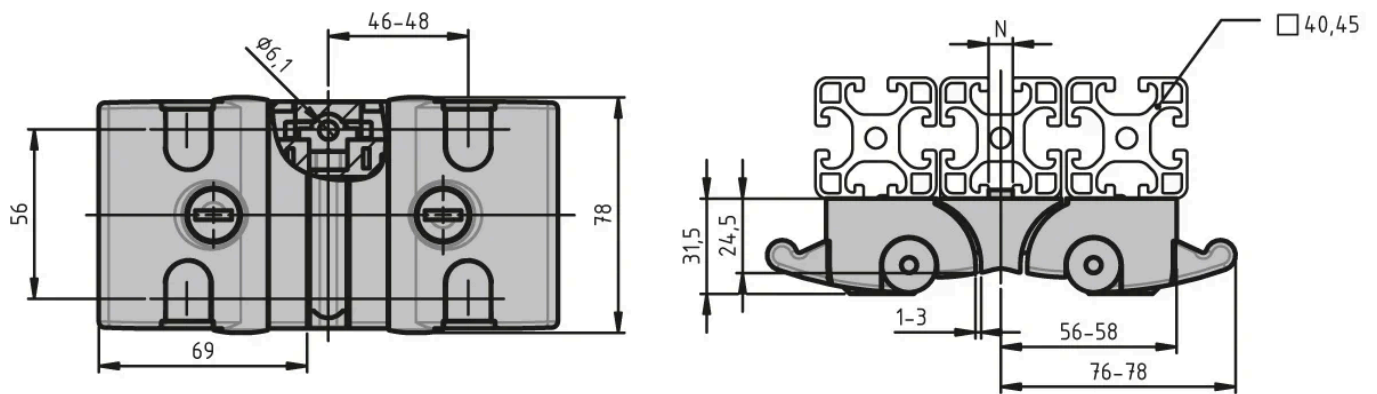
Alike lock = identical keys for all locks. Individual = separate key for every lock.

System: 40 - Slot 8; 30 - Slot 6

Type: Door Latches & Interlocks



General Data



Designation	Description	Weight (g)	Lock
RA5041	Compact double door lock	448	Alike
RA5042	Compact double door lock	448	Individual