

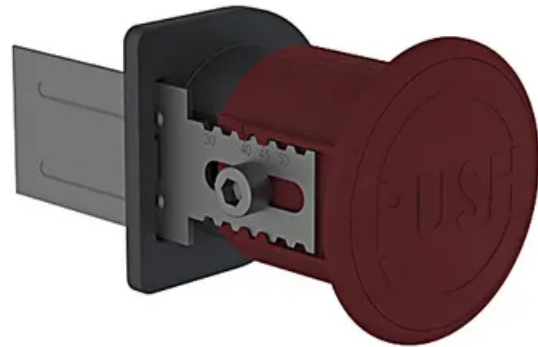
Emergency Door Lock Opener

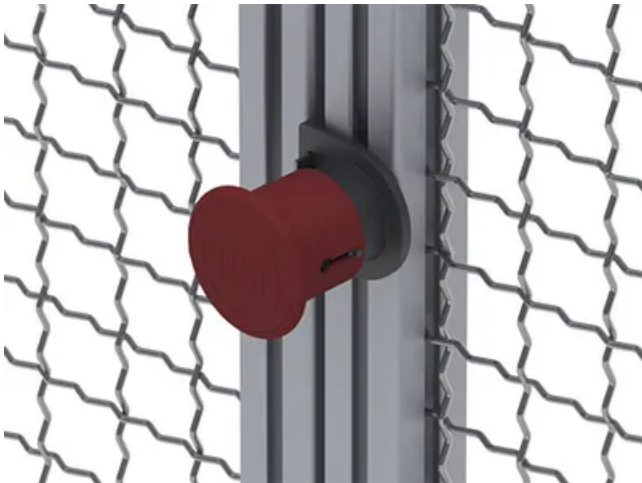
Emergency release at the back of the Compact Catch Lock. Matches profiles 30,40.

Material: Base body and push-button: Plastic (PA6),
fibreglass-reinforced
Unlocking bar: Steel

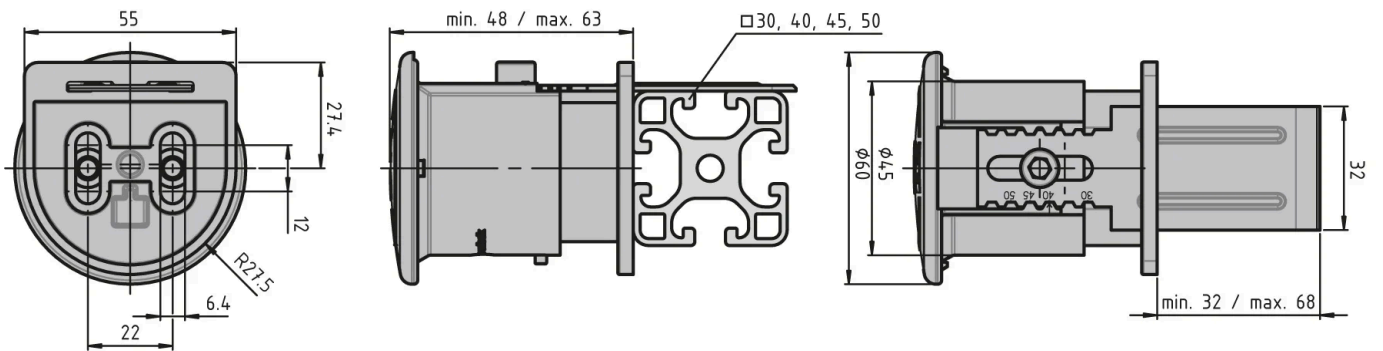
Colour: Base body: Black
Push-button: Red
Mount: By two M6 × 20 cheese head screws (DIN 912) at
the front

System: 40 - Slot 8; 30 - Slot 6
Type: Door Latches & Interlocks





General Data



Designation	Description	Weight (g)
RA5050	Emergency catch lock opener	110.8