

Bar

Easily locks doors and flaps; with spring-assisted locking pin; separate slot locking included.

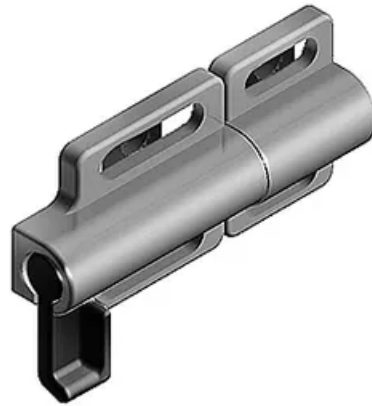
Material:

Bar: Aluminium coloured die-cast zinc

Handle: Plastic (PA)

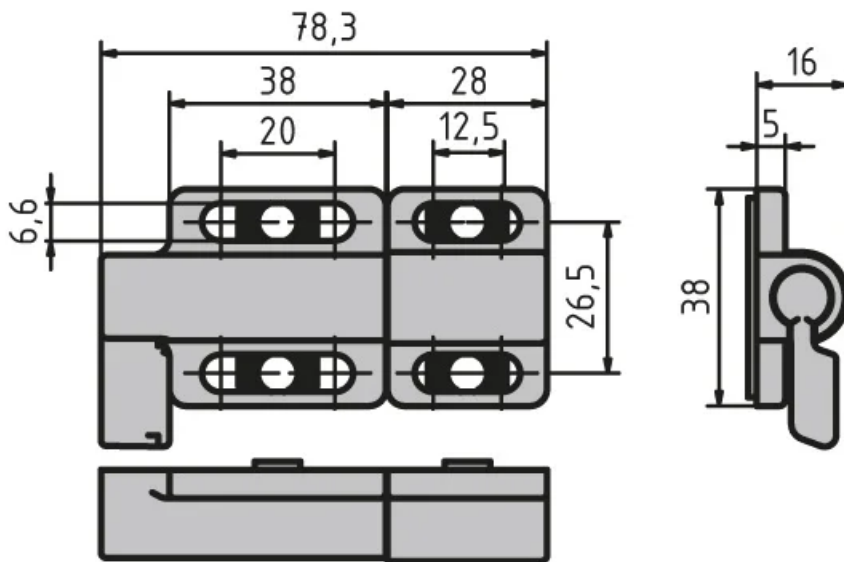
System: 30 - Slot 6; 20 - Slot 5

Type: Door Latches & Interlocks





General Data



Designation	Description
PZ9024	Bar 66 × 38 mm