

## Ball Catch

Quick acting door opener; adapts to the surface element thickness.

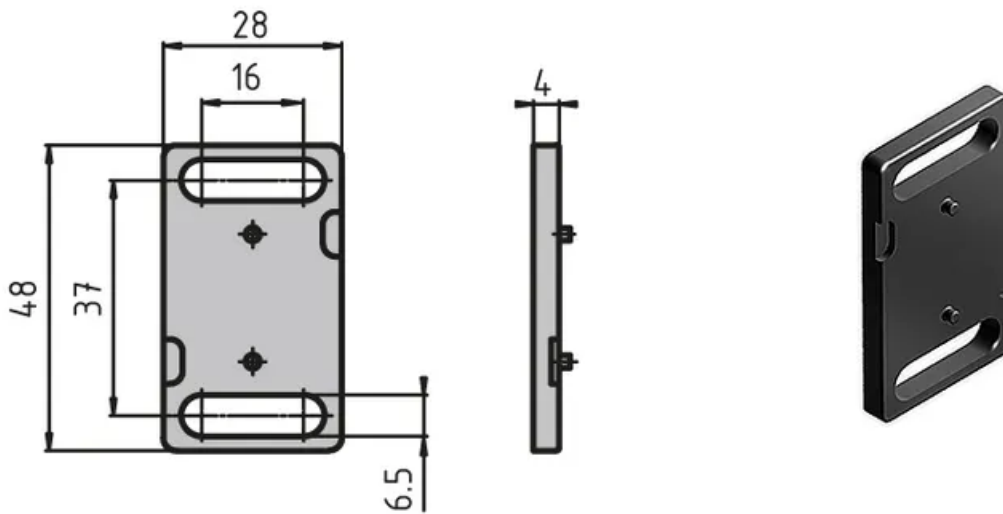
Mount: By M6 screw

Material: Black plastic (PA)

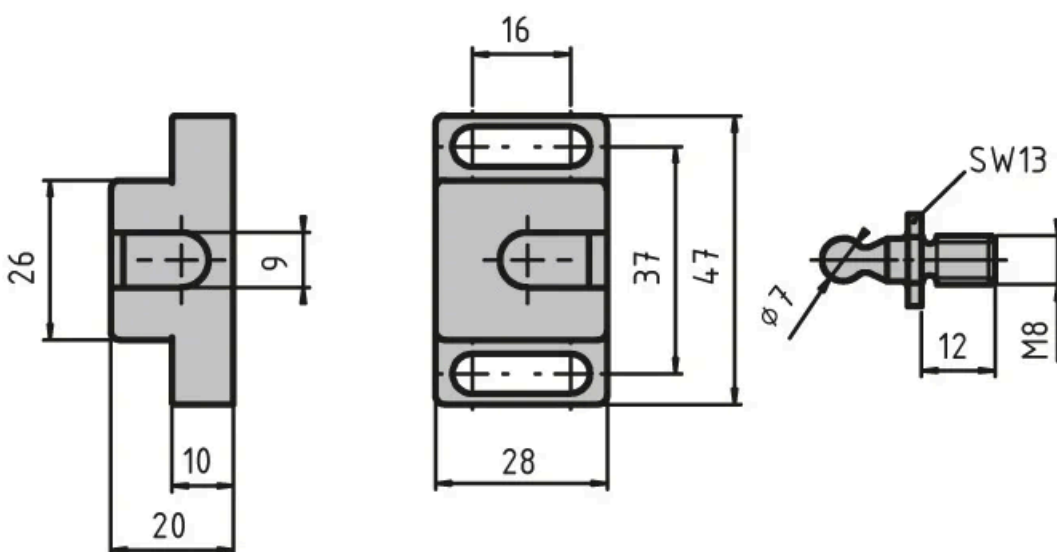
**System:** 30 - Slot 6; 40 - Slot 8

**Type:** Door Latches & Interlocks





## General Data



Designation	Description	Retaining screw	Locking force (N)
RA5051	Light-duty ball catch	M8 × 12, Galvanised steel	~ 40
RA5052	Light-duty ball catch	M8 × 12, Stainless steel	~ 40
RA5053	Heavy-duty ball catch	M8 × 12, Stainless steel	~ 50

Designation	Description	Retaining screw	Locking force (N)
RA5054	Heavy-duty ball catch	M8 × 12, Galvanised steel	~ 50
RA5055	Ball catch spacer	-	-