

Clamping Spring 8

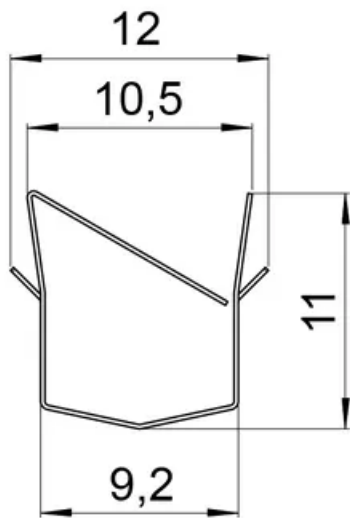
To fix panels 2 - 9 mm in the profile slot

Material: Stainless steel SS303

System: 40 - Slot 8

Type: Sealing, Coverstrips & Rubbers





General Data

Designation	Description	System	Weight (g)	Length
RF1050	Clamping Spring 8	40 - Slot 8	4	80