

## T-Nuts, ball-type, push-in

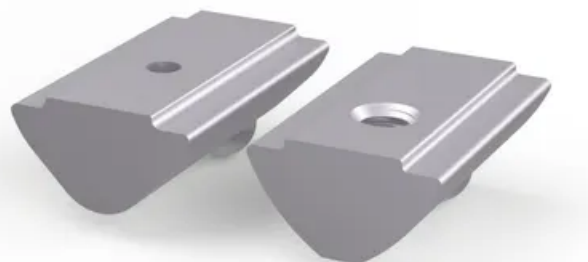
### Application:

T-nut for swiveling into the t-slot. Fits into the t-slot at any point. Held in position by a spring-loaded ball. Raised area fits into the t-slot to stop twisting.

**Material:** Zinc plated steel

**System:** 40 - Slot 8

**Type:** T-nuts



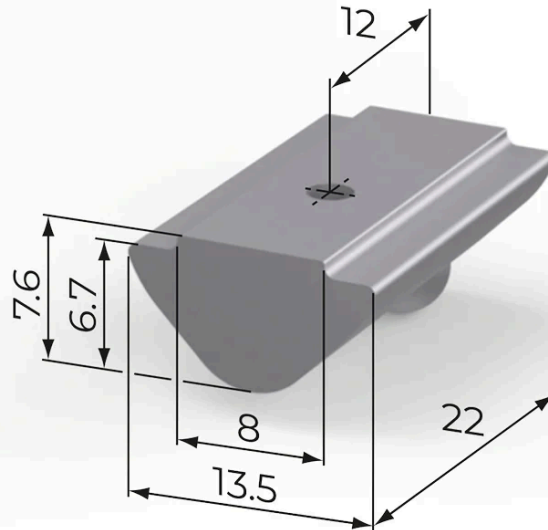
**T-Nuts, slide-in****T-Nuts, push-in****T-Slot Strength**

Information in regards to the maximum allowable t-slot load capability F. These values already include a safety factor ( $S > 2$ ) against plastic deformation.

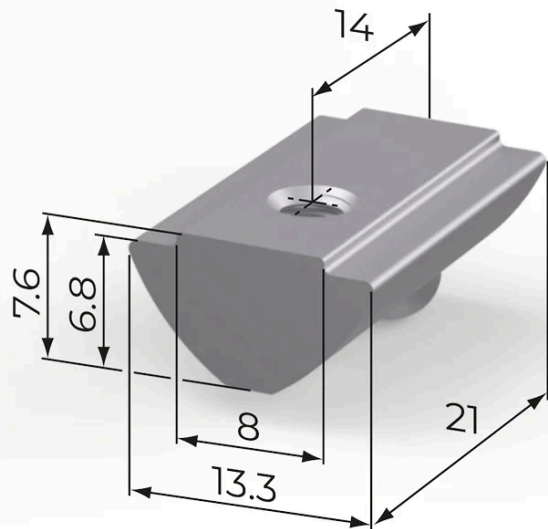
| Profile type | Max. pull charge F |
|--------------|--------------------|
| standard     | 5000 N             |
| semi         | 2500 N             |
| light        | 2000 N             |
| superlight   | 1750 N             |



**General Data**



**RN1110, RN1178, RN1179, RN1180 & RN1181**



**RN1010, RN1015, RN1020 & RN1025**

| Designation   | System      | Material           | Thread | Weight (g) |
|---------------|-------------|--------------------|--------|------------|
| <b>RN1110</b> | 40 - Slot 8 | Steel, zinc-plated | M3     | 12         |
| <b>RN1010</b> | 40 - Slot 8 | Steel, zinc-plated | M4     | 11         |
| <b>RN1178</b> | 40 - Slot 8 | Stainless steel    | M4     | 11         |

| Designation   | System      | Material           | Thread | Weight (g) |
|---------------|-------------|--------------------|--------|------------|
| <b>RN1015</b> | 40 - Slot 8 | Steel, zinc-plated | M5     | 11         |
| <b>RN1179</b> | 40 - Slot 8 | Stainless steel    | M5     | 11         |
| <b>RN1020</b> | 40 - Slot 8 | Steel, zinc-plated | M6     | 10         |
| <b>RN1180</b> | 40 - Slot 8 | Stainless steel    | M6     | 10         |
| <b>RN1025</b> | 40 - Slot 8 | Steel, zinc-plated | M8     | 9          |
| <b>RN1181</b> | 40 - Slot 8 | Stainless steel    | M8     | 9          |