

T-Nuts, push-in

Application:

T-nut for swiveling into the t-slot. Fits into the t-slot at any point. Held in position by a grub screw. Raised area fits into the t-slot to stop twisting.

Material: Steel, zinc-plated

System: 40 - Slot 8

Type: T-nuts



T-Nuts, slide-in



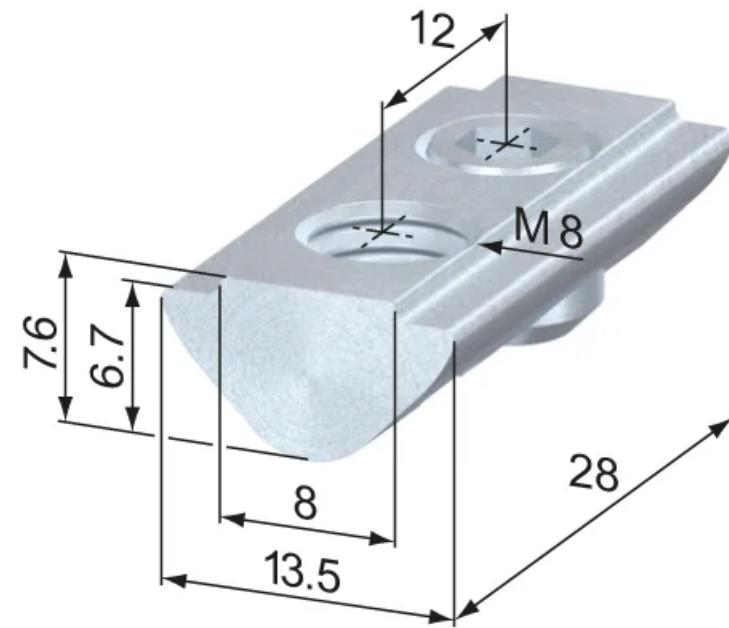
T-Nuts, push-in



T-Slot Strength

Information in regards to the maximum allowable t-slot load capability F. These values already include a safety factor (S > 2) against plastic deformation.

| Profile type | Max. pull charge F |
|--------------|--------------------|
| standard | 5000 N |
| semi | 2500 N |
| light | 2000 N |
| superlight | 1750 N |



| Designation | System | Thread | Weight (g) |
|-------------|-------------|--------|------------|
| RN1160 | 40 - Slot 8 | M5 | 14 |
| RN1161 | 40 - Slot 8 | M6 | 14 |
| RN1162 | 40 - Slot 8 | M8 | 12 |