

Central Fastener G 30 SS / G 45 SS

Application:

The anchor is screwed into the t-nut at either 30° or 45°. Special angles are available on request.

Assembly:

Bore hole for the barrel housing: Ø 12 mm, 27 mm (35 mm) from profile end, 30 mm deep.

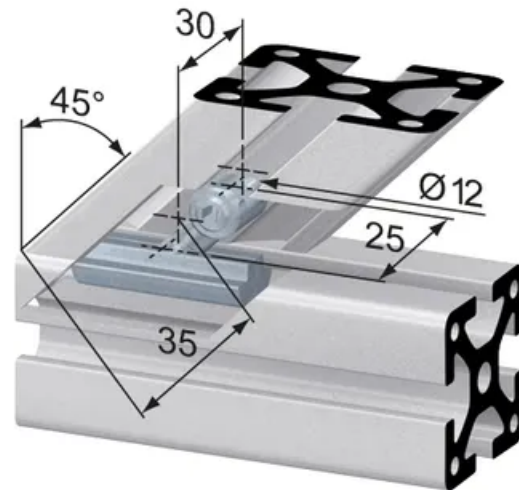
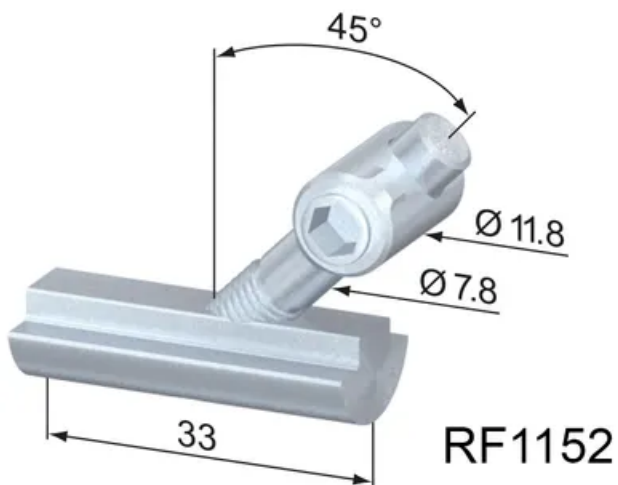
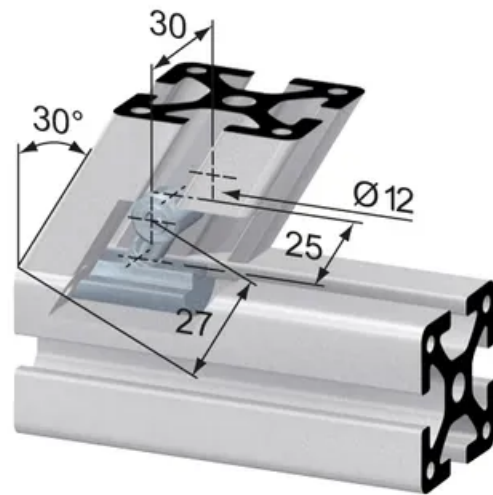
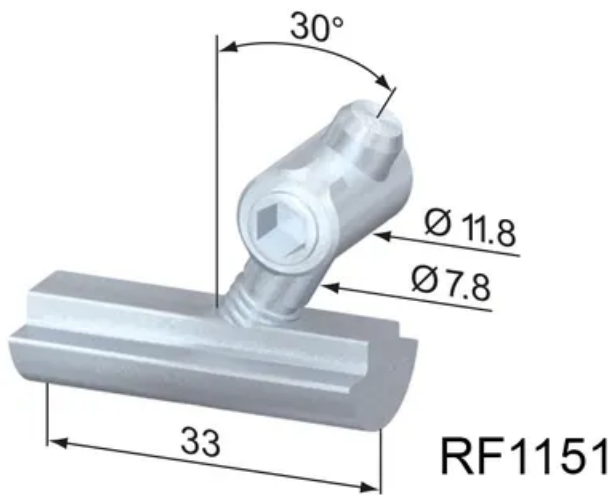
Bore for center hole on end of profile for anchor: Ø 8.5 mm, 25 mm deep.

Material: Steel, zinc-plated

System: 40 - Slot 8

Type: Fasteners





General Data

Designation	Description	System	Weight (g)
RF1151	Central Fastener G 30 SS	40 - Slot 8	56
RF1152	Central Fastener G 45 SS	40 - Slot 8	57