

Handle AL 147

Application:

Multi-purpose, e.g. for doors and drawers.

Material: Aluminium

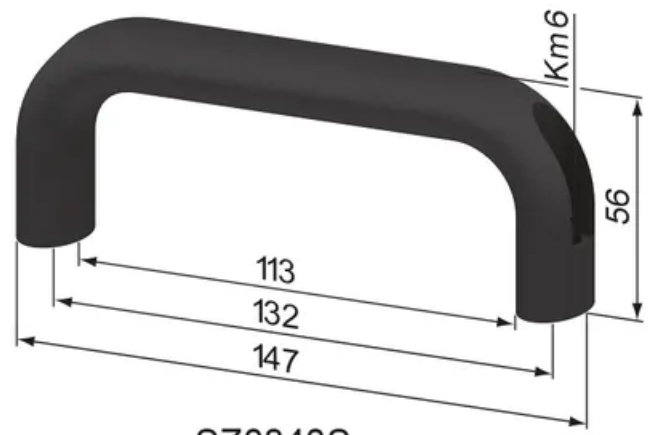
System: 40 - Slot 8

Type: Handles





SZ0840N



SZ0840S

General Data

Designation	System	Material	Weight (g)
SZ0840N	40 - Slot 8	Aluminum, natural anodized	166