

## Tie Plate, steel

**Application:**

Universally applicable attachment elements for interconnecting profiles.

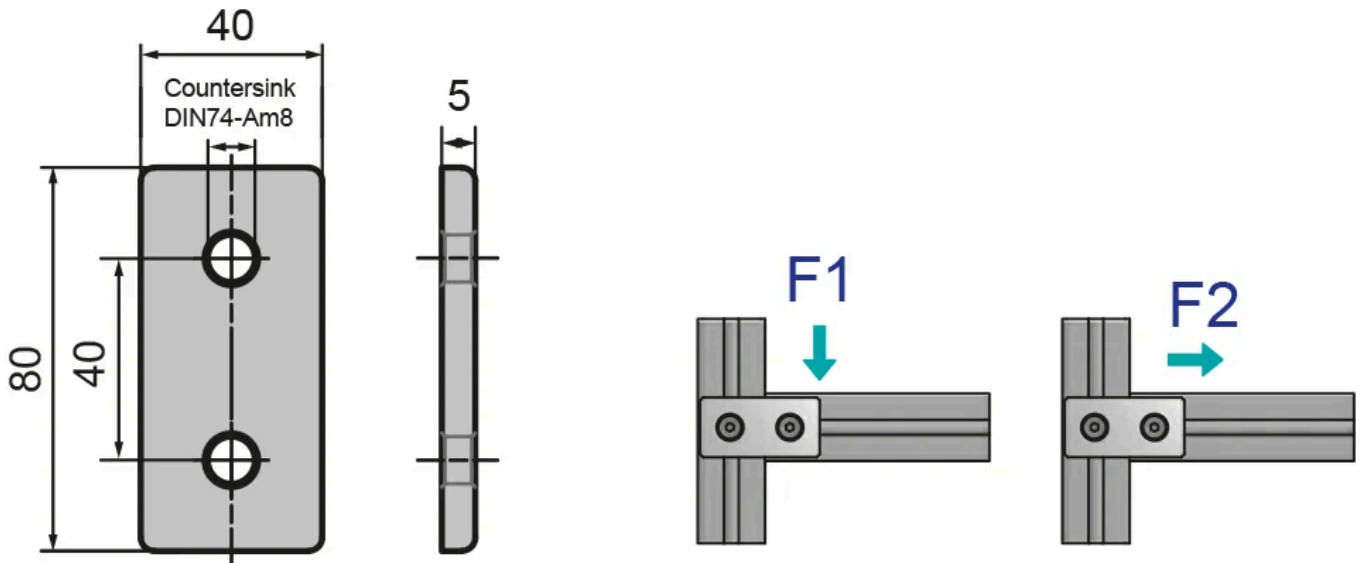
**Material:** Steel, black

**System:** 40 - Slot 8

**Type:** Angles Brackets and Corners; Fasteners



## General Data



Designation	Description	System	F1 (N)	F2 (N)	Weight (g)
RA1120	Tie Plate 40 x 80, steel	40 - Slot 8	850	900	90