

Edging and Covering Strips

Application:

For covering the profile t-slot or for clamping sheet elements. Suitable for panel thicknesses 4-5 mm.

Supplied Length: 2000 mm

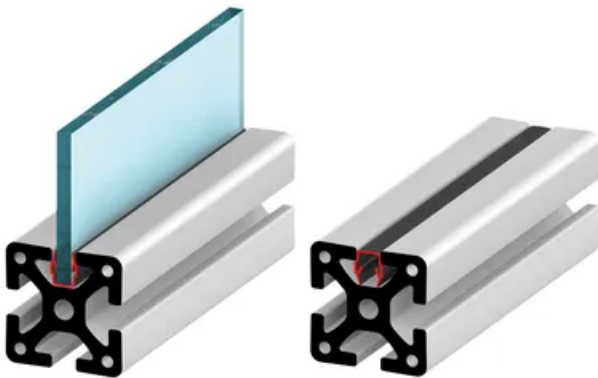
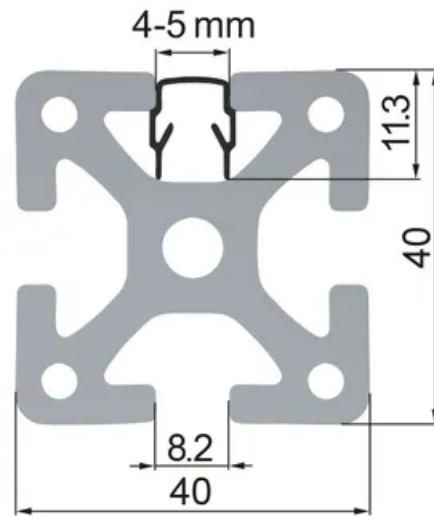
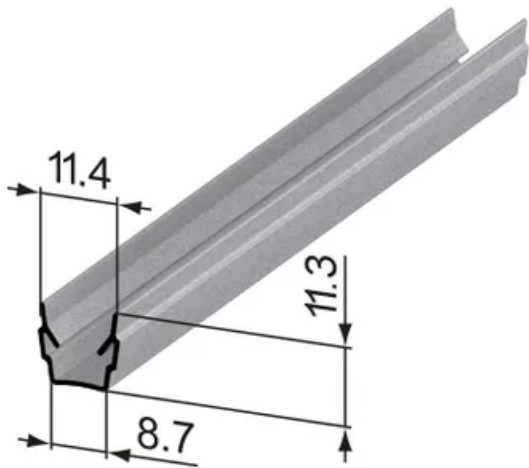
Material: Polypropylene, natural or black

System: 40 - Slot 8

Length (mm): 2000

Type: Sealing, Coverstrips & Rubbers





General Data

| Designation | Description | System | Weight (g) |
|-------------|---------------------------------------|-------------|------------|
| RA1275 | Edging And Covering Strip 40, natural | 40 - Slot 8 | 78 |
| RA1280 | Edging And Covering Strip 40, black | 40 - Slot 8 | 78 |