

Fixing Blocks

Application:

To mount panels to profiles with a t-slot width of 8mm. An M6 screw is required for installation.

RA1140 Fixing block 40 Vario is a complete set. It includes four different sized, removable caps to accommodate panels with 2 - 8 mm thickness.

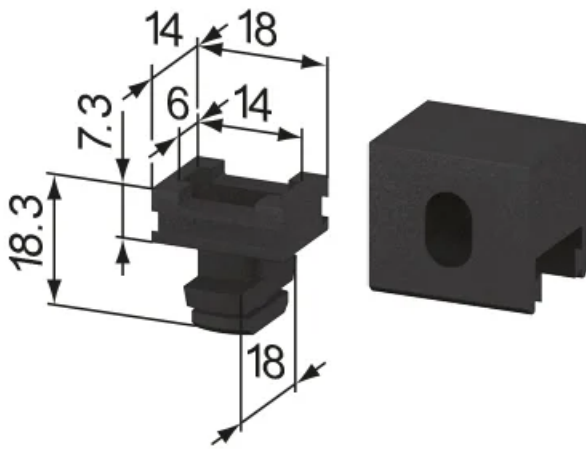
Material: PA, black

System: 40 - Slot 8

Type: Fixing Blocks/Fastening Elements



General Data



Insert for RA1140

Designation	Description	System	Weight (g)	Compatible with
RA1140	Fixing Block 40 vario	40 - Slot 8	27	2-8 mm panels