

## T-Nuts, mini

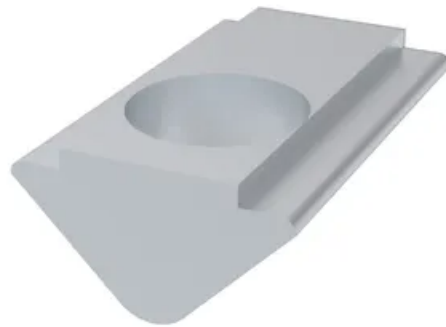
**Application:**

T-nut for swiveling into the t-slot. Fits into the t-slot at any point. Held in position by a spring-loaded ball. Raised area fits into groove to stop twisting.

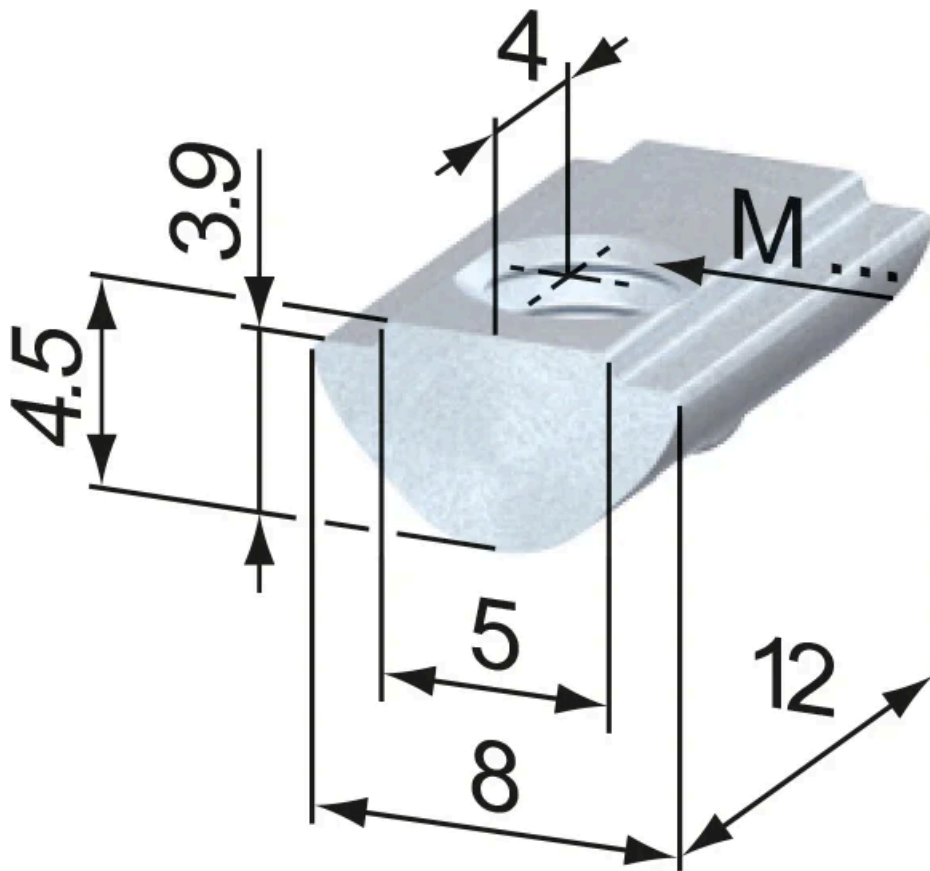
**Material:** Steel, zinc-plated

**System:** 20 - Slot 5

**Type:** T-nuts



**General Data**



| Designation | Description               | System      | Thread | Weight (g) |
|-------------|---------------------------|-------------|--------|------------|
| SV2192V     | T-Nuts, mini M4 ball type | 20 - Slot 5 | M4     | 2          |
| SV2193V     | T-Nuts, mini M5 ball type | 20 - Slot 5 | M5     | 2          |