

## Linear Unit QME Right + Left drive

By using Linear Unit QME from Rollco you save both time and money. The units are designed to fulfil the need of an easy to mount unit for medium precision requirements. The units are ready to mount linear tables guided with linear ball bearings on hardened shafts and driven by ball- or lead-screw. There is a wide variety of executions available for quick delivery from our workshop.

- Selectable standard options are:
- Bellows
- Hand wheel
- Screw locking
- Mechanical position counter
- Left+Right drive units
- Magnetic end position switches

Ask us if you need higher level of corrosion resistance, low/high temperature versions, other screw-leads or -types, customized machining of the drive- and mounting-interfaces and so on.

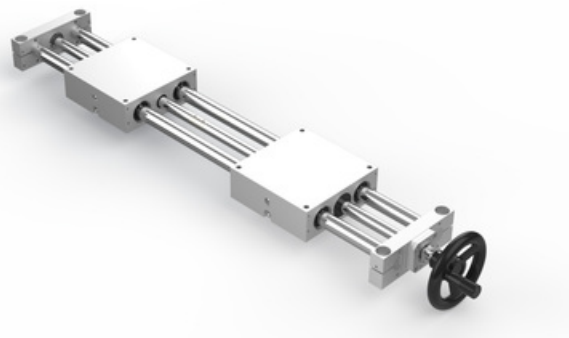
### Characteristics

- Linear ball bearings used for lowest friction and minimal and persistent play.
- Low backlash ball screw, optional with reduced backlash or backlash eliminated by light preload.
- Customized mounting flange for motor and/or customized end-machining of the screw shaft available.
- Corrosion resistant version as option.

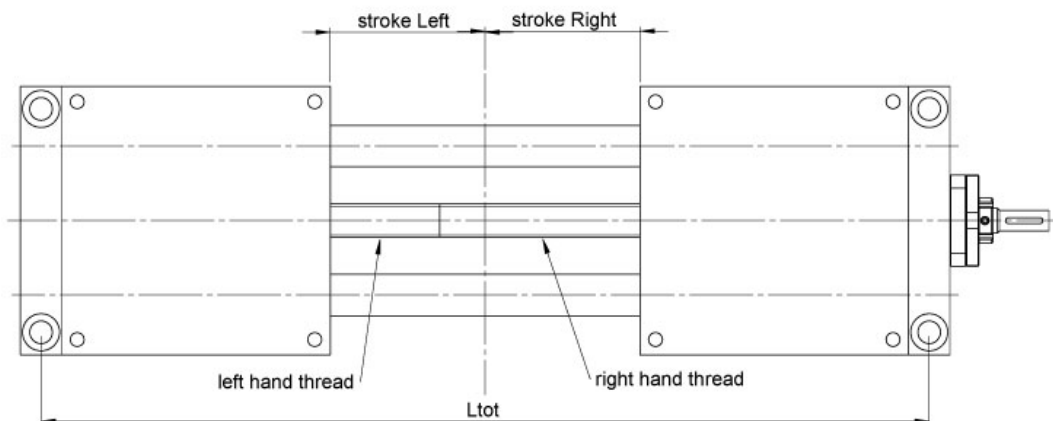
Note that "stroke" for a L+R unit refers to the stroke of each individual slider.

All drive end types possible also for Left + Right drive.

Please contact us for CAD-files!



## General Data



Designation	Drive screw	Ltot
QME 12-2xR-L	Tr screw TR1203/TL1203	stroke * 2+183
QME 20-2xR-L	Tr screw TR1604/TL1604	stroke * 2+280
QME 30-2xR-L	Ball screw SR3205/SL3205	stroke * 2+422