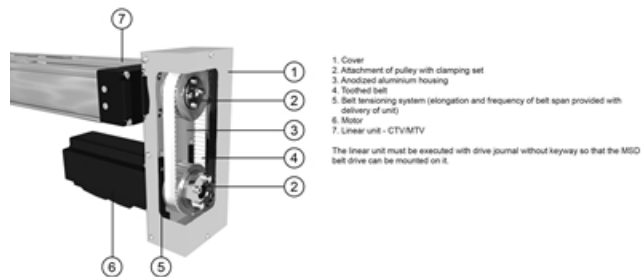


Motor Side Drive - MSD

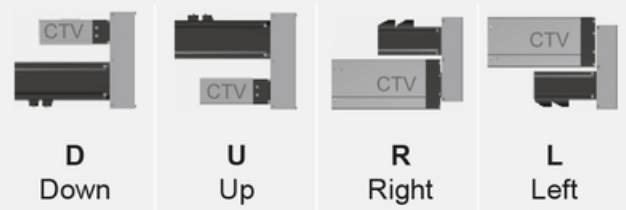
Available for CTV 200 & MTV 110 on request.
The linear unit must be executed with drive journal without keyway so that the MSD belt drive can be mounted on it.

Contact Rollco for CAD-files.

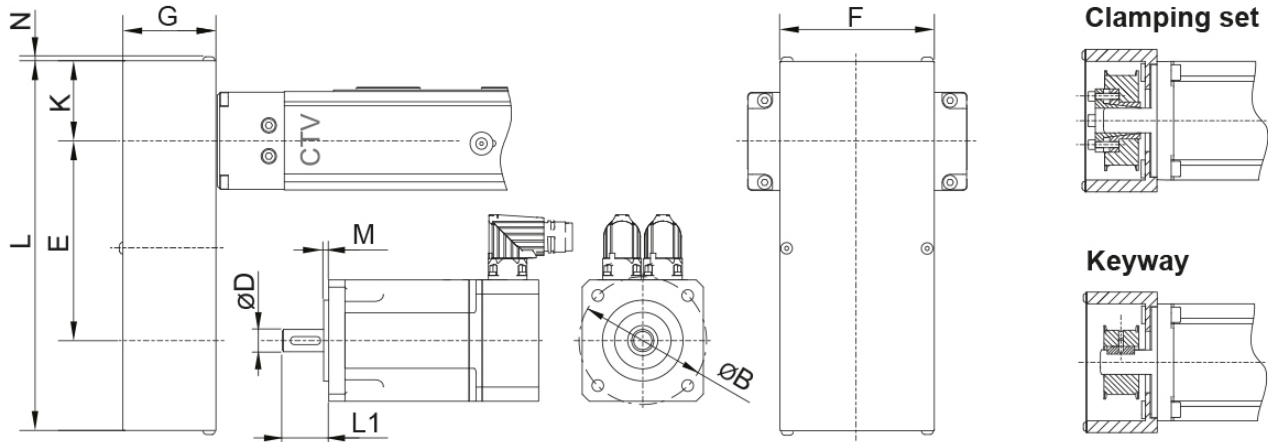
Dimensions in mm.



Possible installation positions of MSD



Variant Data



(Max. drive speed: 3000 1/min; No load torque: approx. 0,5 Nm)

* For a bigger value an additional adapter plate is used.

** This is the load which is linearly dependent on the max. drive torque and is generated by the correct pretension of the belt. This load needs to be reduced in accordance with the capabilities of the motor.

Designation	Max. Drive Torque (Linear Unit) (Nm)	Max. Radial Load on Shaft (N)	Mass moment of inertia (10 ⁻⁶)	Mass (kg)	ØB max
MSD-CTV 90-T1-1	2.7	90	79 m2	0.88	70
MSD-CTV 90-T1-1,5	2.7	90	48 m2	0.74	70
MSD-CTV 110-T1-1	5	175	72 m2	0.9	70
MSD-CTV 110-T1-1,5	5	175	72 m2	0.9	70
MSD-MTV 65-T1-1	5	175	41 m2	0.8	70
MSD-MTV 65-T1-1,5	5	175	41 m2	0.8	70
MSD-CTV 110-T2-1	9	245	206 m2	1.51	100
MSD-CTV 110-T2-1,5	9	245	206 m2	1.51	100
MSD-MTV 65-T2-1	11	235	335 m2	1.53	100
MSD-MTV 65-T2-1,5	11	235	335 m2	1.53	100
MSD-CTV 145-T1-1	13	350	207 m2	1.52	100
MSD-CTV 145-T1-1,5	13	350	207 m2	1.52	100
MSD-MTV 80-T1-1	19	410	335 m2	1.64	100
MSD-MTV 80-T1-1,5	19	410	335 m2	1.64	100
MSD-CTV 145-T2-1	19	410	551 m2	3.3	120
MSD-CTV 145-T2-2	19	410	551 m2	3.3	120
MSD-MTV 80-T2-1	24	375	860 m2	2.93	120
MSD-MTV 80-T2-2	24	375	860 m2	2.93	120

Designation	Mmax (Nm)	Motor size limits - L1 -min. clamping set	Motor size limits - L1 -min. keyway	Motor size limits -L1- max.	ØD Max. Clamping set	ØD Max. Keyway
MSD-CTV 90-T1-1	4	22	25	39	14	22
MSD-CTV 90-T1-1,5	4	/	25	39	/	14
MSD-CTV 110-T1-1	4	22	25	39	14	22
MSD-CTV 110-T1-1,5	4	22	25	39	14	22
MSD-MTV 65-T1-1	4	/	25	39	/	14

Variant Data

Designation	Mmax (Nm)	Motor size limits - L1 -min. clamping set	Motor size limits - L1 -min. keyway	Motor size limits -L1- max.	ØD Max. Clamping set	ØD Max. Keyway
MSD-MTV 65-T1-1,5	4	/	25	39	/	14
MSD-CTV 110-T2-1	4	24	30	49	18	30
MSD-CTV 110-T2-1,5	4	24	30	49	18	30
MSD-MTV 65-T2-1	4	25	30	49	14	30
MSD-MTV 65-T2-1,5	4	25	30	49	14	30
MSD-CTV 145-T1-1	4	24	30	49	18	30
MSD-CTV 145-T1-1,5	4	24	30	49	18	30
MSD-MTV 80-T1-1	4	25	30	49	14	30
MSD-MTV 80-T1-1,5	4	25	30	49	14	30
MSD-CTV 145-T2-1	4	30	35	59	22	40
MSD-CTV 145-T2-2	4	30	35	59	22	40
MSD-MTV 80-T2-1	4	30	35	59	14	32
MSD-MTV 80-T2-2	4	30	35	59	14	32

Designation	E	F	G	K	L	N
MSD-CTV 90-T1-1	100	70	41	31	179	2
MSD-CTV 90-T1-1,5	102	70	41	31	179	2
MSD-CTV 110-T1-1	100	70	41	31	179	2
MSD-CTV 110-T1-1,5	100	70	41	31	179	2
MSD-MTV 65-T1-1	112	70	41	31	190	2
MSD-MTV 65-T1-1,5	112	70	41	31	190	2
MSD-CTV 110-T2-1	145	90	51	43	250	2
MSD-CTV 110-T2-1,5	145	90	51	43	250	2
MSD-MTV 65-T2-1	139	90	51	43	250	2
MSD-MTV 65-T2-1,5	139	90	51	43	250	2
MSD-CTV 145-T1-1	145	90	51	43	250	2
MSD-CTV 145-T1-1,5	145	90	51	43	250	2
MSD-MTV 80-T1-1	180	90	51	43	282	2
MSD-MTV 80-T1-1,5	180	90	51	43	282	2
MSD-CTV 145-T2-1	160	120	61	56	297	2.5
MSD-CTV 145-T2-2	160	120	61	56	297	2.5
MSD-MTV 80-T2-1	158	120	61	56	297	2.5
MSD-MTV 80-T2-2	158	120	61	56	297	2.5