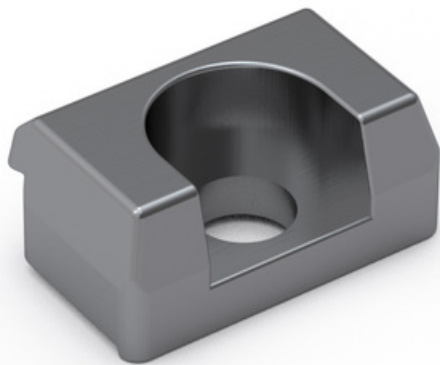


## Clamping fixtures

Mini linear units MGBS & MGTB and Mini electric cylinders & sliders MCE & MSCE can be mounted by clamps, which are placed in the slot on the side of the profile. Clamps can also attach to the carriage of the mini linear unit, fixing another mini linear unit (or mini electric cylinder MCE or slider MSCE) to the carriage at an angle of 90° (i.e. for multi-axis systems).

Material: powder coated zinc alloy

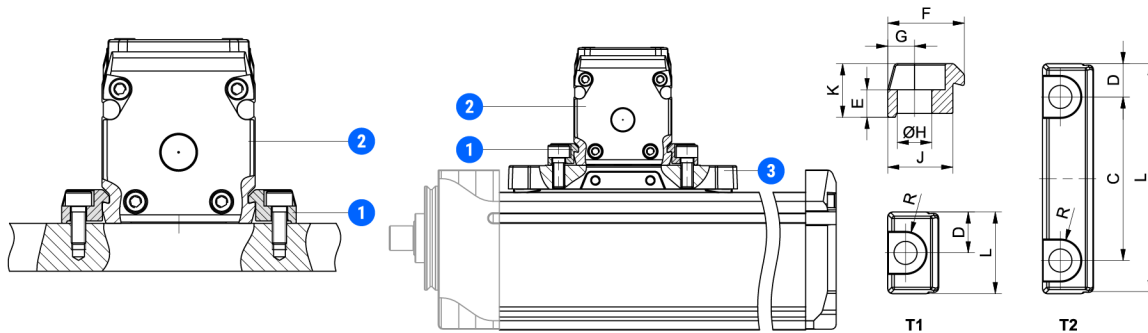
Dimensions in mm.



## General Data

Designation	Screw Type	Type	Compatible with	Countersink for	Mass (g)
<b>MG - M3 - T1 - 108216</b>	M3	T1	MGBS, MGTB, MCE, MSCE	DIN 912	6
<b>MG - M3 - T2 - 108218</b>	M3	T2	MGBS, MGTB, MCE, MSCE	DIN 912	12
<b>MG - M4 - T1 - 108217</b>	M4	T1	MGBS, MGTB, MCE, MSCE	DIN 912	5
<b>MG - M4 - T2 - 108219</b>	M4	T2	MGBS, MGTB, MCE, MSCE	DIN 912	16
<b>MG - M5 - T1 - 112526</b>	M5	T1	MGBS, MGTB	DIN 912	6
<b>MG - M5 - T2 - 112527</b>	M5	T2	MGBS, MGTB	DIN 912	27

## Dimensions



1. Clamping fixture
2. Profile
3. Carriage

Designation	C	D	E	F	G	H	J	K	L
<b>MG - M3 - T1 - 108216</b>	-	8	3.6	10	3.5	3.4	8.5	7	16
<b>MG - M3 - T2 - 108218</b>	22.5	4.75	3.6	10	3.5	3.4	8.5	7	32
<b>MG - M4 - T1 - 108217</b>	-	8	2.5	10	3.5	4.5	8.5	7	16
<b>MG - M4 - T2 - 108219</b>	32	6.5	2.5	10	3.5	4.5	8.5	7	45
<b>MG - M5 - T1 - 112526</b>	-	8	4	11	4.5	5.5	9.5	7.5	16
<b>MG - M5 - T2 - 112527</b>	45	7.5	4	11	4.5	5.5	9.5	7.5	60

Designation	R
<b>MG - M3 - T1 - 108216</b>	3.25
<b>MG - M3 - T2 - 108218</b>	3.25
<b>MG - M4 - T1 - 108217</b>	4
<b>MG - M4 - T2 - 108219</b>	4
<b>MG - M5 - T1 - 112526</b>	4.5
<b>MG - M5 - T2 - 112527</b>	4.5