

SGN

Dimensions in mm.

Material: Aluminium or stainless steel AISI 316



General Data

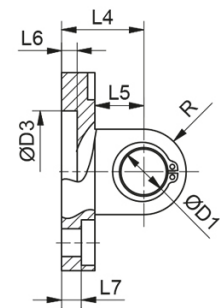
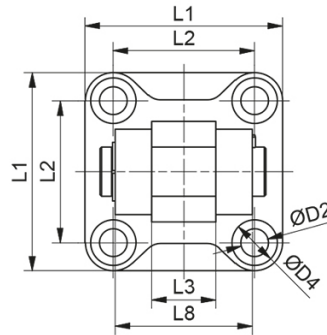
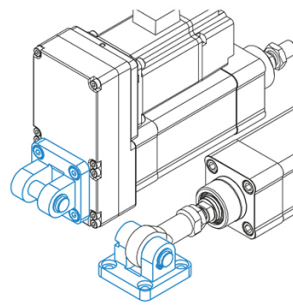
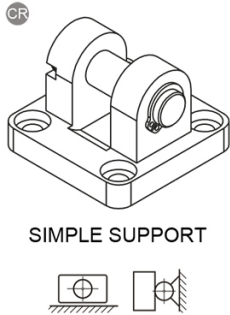
Designation	Description	Compatible with	Type	Material	Fmax (N)
SGN 32 - 9200	SGN 32	PNCE 32	Front cap mounting	Aluminium	F PNCE
SGN 32 CR - 69538	SGN 32 CR	PNCE 32	Front cap mounting	Stainless steel AISI 316	F PNCE
SGN 32 MSD - 69621	SGN 32 MSD	PNCE 32	Motor side drive mounting	Aluminium	F PNCE
SGN 32 MSD CR - 69625	SGN 32 MSD CR	PNCE 32	Motor side drive mounting	Stainless steel AISI 316	F PNCE
SGN 40 - 9201	SGN 40	PNCE 40	Front cap mounting	Aluminium	5700
SGN 40 CR - 69539	SGN 40 CR	PNCE 40	Front cap mounting	Stainless steel AISI 316	5700
SGN 40 MSD - 69622	SGN 40 MSD	PNCE 40	Motor side drive mounting	Aluminium	5700
SGN 40 MSD CR - 69626	SGN 40 MSD CR	PNCE 40	Motor side drive mounting	Stainless steel AISI 316	5700
SGN 50 - 9202	SGN 50	PNCE 50	Front cap mounting	Aluminium	7600
SGN 50 CR - 69540	SGN 50 CR	PNCE 50	Front cap mounting	Stainless steel AISI 316	7600
SGN 50 MSD - 69623	SGN 50 MSD	PNCE 50	Motor side drive mounting	Aluminium	7600
SGN 50 MSD CR - 69627	SGN 50 MSD CR	PNCE 50	Motor side drive mounting	Stainless steel AISI 316	7600
SGN 63 - 9203	SGN 63	PNCE 63	Front cap mounting	Aluminium	9600
SGN 63 CR - 69541	SGN 63 CR	PNCE 63	Front cap mounting	Stainless steel AISI 316	9600
SGN 63 MSD - 69624	SGN 63 MSD	PNCE 63	Motor side drive mounting	Aluminium	9600
SGN 63 MSD CR - 69628	SGN 63 MSD CR	PNCE 63	Motor side drive mounting	Stainless steel AISI 316	9600
SGN 80 - 9204	SGN 80	PNCE 80	Front cap mounting	Aluminium	16000
SGN 80 CR - 83257	SGN 80 CR	PNCE 80	Front cap mounting	Stainless steel AISI 316	16000
SGN 80 MSD - 9204	SGN 80 MSD	PNCE 80	Motor side drive mounting	Aluminium	16000
SGN 80 MSD CR - 83257	SGN 80 MSD CR	PNCE 80	Motor side drive mounting	Stainless steel AISI 316	16000
SGN 100 - 9198	SGN 100	PNCE 100	Front cap mounting	Aluminium	20000
SGN 100 CR - 83259	SGN 100 CR	PNCE 100	Front cap mounting	Stainless steel AISI 316	20000
SGN 100 MSD - 9198	SGN 100 MSD	PNCE 100	Motor side drive mounting	Aluminium	20000
SGN 100 MSD CR - 83259	SGN 100 MSD CR	PNCE 100	Motor side drive mounting	Stainless steel AISI 316	20000

Designation	Mass (kg)
SGN 32 - 9200	0.1
SGN 32 CR - 69538	0.2
SGN 32 MSD - 69621	0.1
SGN 32 MSD CR - 69625	0.2
SGN 40 - 9201	0.14

General Data

Designation	Mass (kg)
SGN 40 CR - 69539	0.3
SGN 40 MSD - 69622	0.14
SGN 40 MSD CR - 69626	0.3
SGN 50 - 9202	0.26
SGN 50 CR - 69540	0.48
SGN 50 MSD - 69623	0.26
SGN 50 MSD CR - 69627	0.48
SGN 63 - 9203	0.35
SGN 63 CR - 69541	0.7
SGN 63 MSD - 69624	0.35
SGN 63 MSD CR - 69628	0.7
SGN 80 - 9204	0.68
SGN 80 CR - 83257	1.49
SGN 80 MSD - 9204	0.68
SGN 80 MSD CR - 83257	1.49
SGN 100 - 9198	0.93
SGN 100 CR - 83259	2.16
SGN 100 MSD - 9198	0.93
SGN 100 MSD CR - 83259	2.16

Dimensions



Designation	L1	L2	L3	L4	L5	L6	L7	L8	D1
SGN 32 - 9200	45 (±0.5)	32.5	14	22 (±0.2)	13	5	5.5	34	Ø 10 (f7)
SGN 32 CR - 69538	45 (±0.5)	32.5	14	22 (±0.2)	12	5	5.5	34	Ø 10 (f7)
SGN 32 MSD - 69621	45 (±0.5)	32.5	14	22 (±0.2)	13	5	5.5	34	Ø 10 (f7)
SGN 32 MSD CR - 69625	45 (±0.5)	32.5	14	22 (±0.2)	12	5	5.5	34	Ø 10 (f7)
SGN 40 - 9201	52 (±0.5)	38	16	25 (±0.2)	16	5	5.5	40	Ø 12 (f7)
SGN 40 CR - 69539	55 (±0.5)	38	16	25 (±0.2)	15	5	5.5	40	Ø 12 (f7)
SGN 40 MSD - 69622	52(±0.5)	38	16	25 (±0.2)	16	5	5.5	40	Ø 12 (f7)
SGN 40 MSD CR - 69626	55 (±0.5)	38	16	25 (±0.2)	15	5	5.5	40	Ø 12 (f7)
SGN 50 - 9202	65 (±0.5)	46.5	21	27 (±0.2)	16	5	6.5	45	Ø 16 (f7)
SGN 50 CR - 69540	65 (±0.5)	46.5	21	27 (±0.2)	17	5	6.5	45	Ø 16 (f7)
SGN 50 MSD - 69623	65 (±0.5)	46.5	21	27 (±0.2)	16	5	6.5	45	Ø 16 (f7)
SGN 50 MSD CR - 69627	65 (±0.5)	46.5	21	27 (±0.2)	17	5	6.5	45	Ø 16 (f7)
SGN 63 - 9203	75 (±0.5)	56.5	21	32 (±0.2)	21	5	6.5	51	Ø 16 (f7)
SGN 63 CR - 69541	75 (±0.5)	56.5	21	32 (±0.2)	20	5	6.5	51	Ø 16 (f7)
SGN 63 MSD - 69624	75 (±0.5)	56.5	21	32 (±0.2)	21	5	6.5	51	Ø 16 (f7)
SGN 63 MSD CR - 69628	75 (±0.5)	56.5	21	32 (±0.2)	20	5	6.5	51	Ø 16 (f7)
SGN 80 - 9204	95 (±0.5)	72	25	36 (±0.2)	22	5	10	65	Ø 20 (f7)
SGN 80 CR - 83257	95 (±0.5)	72	25	36 (±0.2)	22	5	10	65	Ø 20 (f7)
SGN 80 MSD - 9204	95 (±0.5)	72	25	36 (±0.2)	22	5	10	65	Ø 20 (f7)
SGN 80 MSD CR - 83257	95 (±0.5)	72	25	36 (±0.2)	22	5	10	65	Ø 20 (f7)
SGN 100 - 9198	115 (±0.5)	89	25	41 (±0.2)	27	5	10	75	Ø 20 (f7)
SGN 100 CR - 83259	115 (±0.5)	89	25	41 (±0.2)	25	5	10	75	Ø 20 (f7)
SGN 100 MSD - 9198	115 (±0.5)	89	25	41 (±0.2)	27	5	10	75	Ø 20 (f7)
SGN 100 MSD CR - 83259	115 (±0.5)	89	25	41 (±0.2)	25	5	10	75	Ø 20 (f7)

Designation	D2	D3	D4	R
SGN 32 - 9200	Ø 6.6 (H13)	Ø 30 (H11)	Ø 11 (H13)	10
SGN 32 CR - 69538	Ø 6.6 (H13)	Ø 30 (H11)	Ø 11 (H13)	10
SGN 32 MSD - 69621	Ø 6.6 (H13)	Ø 30 (H11)	Ø 11 (H13)	10
SGN 32 MSD CR - 69625	Ø 6.6 (H13)	Ø 30 (H11)	Ø 11 (H13)	10

Dimensions

Designation	D2	D3	D4	R
SGN 40 - 9201	Ø 6.6 (H13)	Ø 35 (H11)	Ø 11 (H13)	12
SGN 40 CR - 69539	Ø 6.6 (H13)	Ø 35 (H11)	Ø 11 (H13)	12
SGN 40 MSD - 69622	Ø 6.6 (H13)	Ø 35 (H11)	Ø 11 (H13)	12
SGN 40 MSD CR - 69626	Ø 6.6 (H13)	Ø 35 (H11)	Ø 11 (H13)	12
SGN 50 - 9202	Ø 9 (H13)	Ø 40 (H11)	Ø 15 (H13)	12
SGN 50 CR - 69540	Ø 9 (H13)	Ø 40 (H11)	Ø 15 (H13)	12
SGN 50 MSD - 69623	Ø 9 (H13)	Ø 40 (H11)	Ø 15 (H13)	12
SGN 50 MSD CR - 69627	Ø 9 (H13)	Ø 40 (H11)	Ø 15 (H13)	12
SGN 63 - 9203	Ø 9 (H13)	Ø 45 (H11)	15 (H13) Ø	16
SGN 63 CR - 69541	Ø 9 (H13)	Ø 45 (H11)	15 (H13) Ø	16
SGN 63 MSD - 69624	Ø 9 (H13)	Ø 45 (H11)	15 (H13) Ø	16
SGN 63 MSD CR - 69628	Ø 9 (H13)	Ø 45 (H11)	15 (H13) Ø	16
SGN 80 - 9204	Ø 11 (H13)	Ø 45 (H11)	Ø 18 (H13)	20
SGN 80 CR - 83257	Ø 11 (H13)	Ø 45 (H11)	Ø 18 (H13)	20
SGN 80 MSD - 9204	Ø 11 (H13)	Ø 45 (H11)	Ø 18 (H13)	20
SGN 80 MSD CR - 83257	Ø 11 (H13)	Ø 45 (H11)	Ø 18 (H13)	20
SGN 100 - 9198	Ø 11 (H13)	Ø 55 (H11)	18 (H13) Ø	22
SGN 100 CR - 83259	Ø 11 (H13)	Ø 55 (H11)	18 (H13) Ø	22
SGN 100 MSD - 9198	Ø 11 (H13)	Ø 55 (H11)	18 (H13) Ø	22
SGN 100 MSD CR - 83259	Ø 11 (H13)	Ø 55 (H11)	18 (H13) Ø	22